

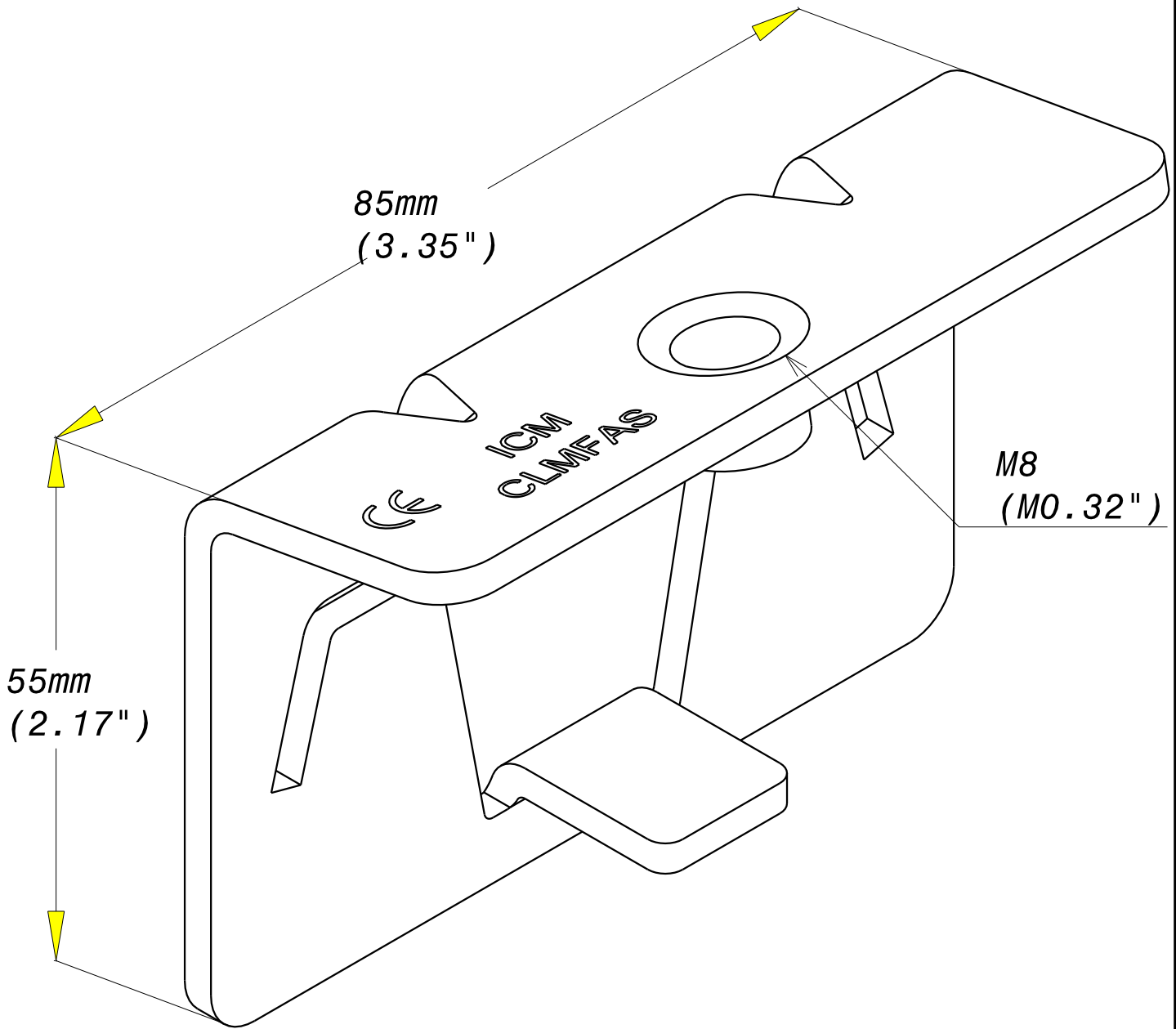
**CRAPAUD POUR RAIL CSN CLMFAS
CLMFAS CLAMP FOR CSN CHANNEL**

**ZnMg
ZnMg**

CABLOFIL®
INNOVATORS IN CABLE MANAGEMENT

FT0496-10

01-20



REF	CODE	POIDS (Kg)	WEIGHT (lb)	EPAISSEUR / THICKNESS
CLMFAS	559 287	0.150	0.330	3 (0.12")

Material	Standard
DX 51 D ZM	EN 10 346
Finition Coating	Standard
ZnMg	Class 8 according to CEI 61537