

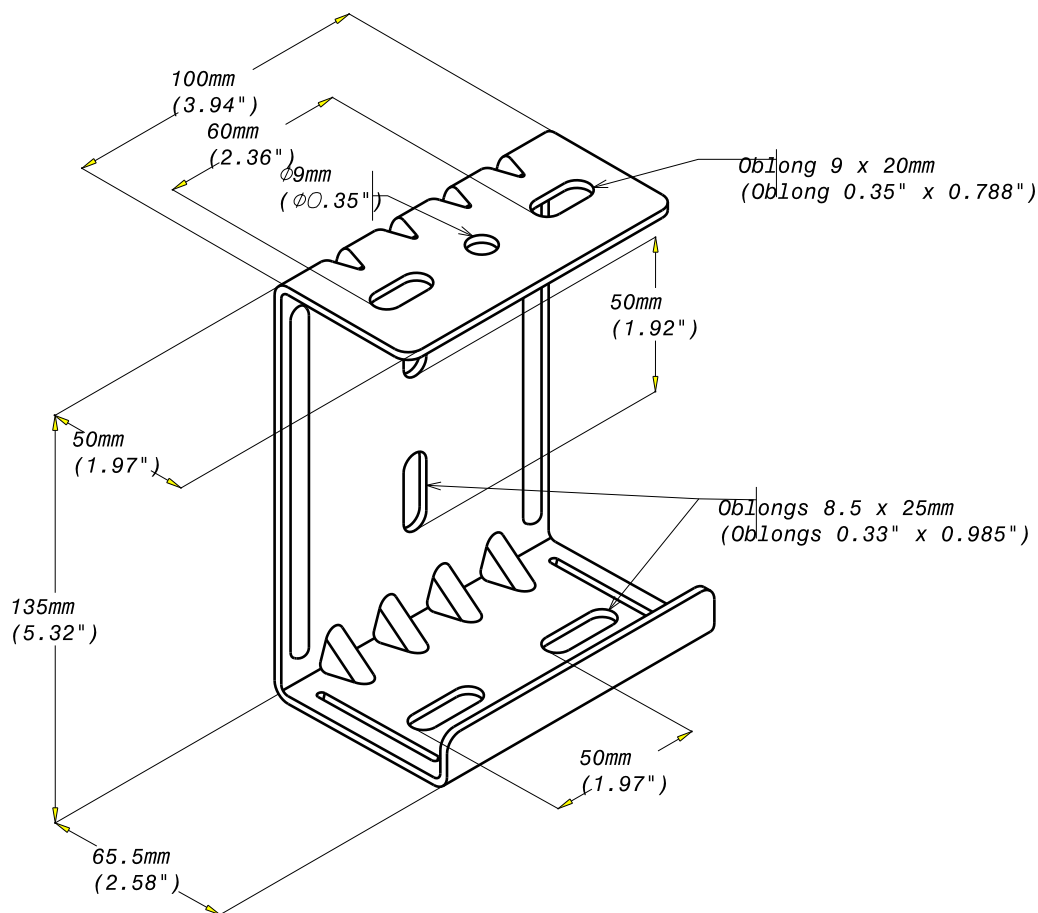
SUSPENTE UNIVERSELLE UCS
 UCS UNIVERSAL HANGING BRACKET

GC
 HDG

CABLOFIL®
 INNOVATORS IN CABLE MANAGEMENT

FT0492-3

03 16



EPAISSEUR / THICKNESS
 2.5 (0.0985")

REF	CODE	POIDS (Kg)	WEIGHT (lb)
UCS	586 153	0.540	1.192

Material	Standard	Finishes	Standard
S 235 JR	EN 10 025-2	Hot dip galvanized	Class 6 according to CEI 61537

Propriété exclusive de CABLOFIL, ne peut être ni copié, ni transmis à des tiers sans autorisation écrite.
 Exclusive property of CABLOFIL shouldn't be reproduced or transmitted to any people without written authorization