

CONSOLE EQUERRE CAQ 50  
BRACKET CAQ 50

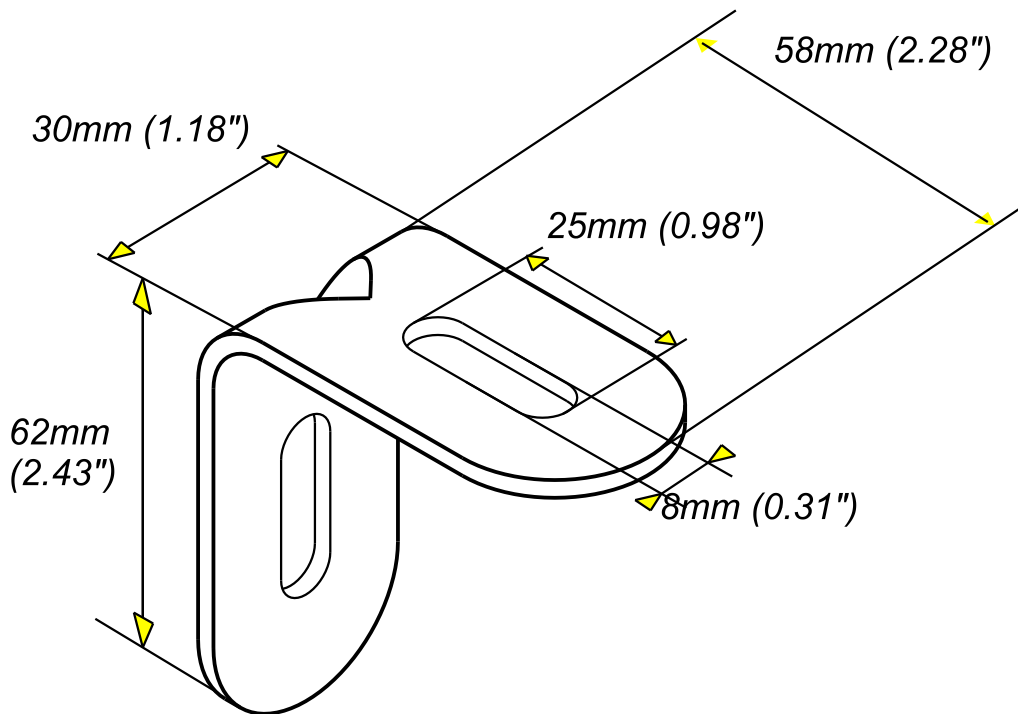
GS  
PG



CABLE  
MANAGEMENT

FT 0490-0

11 13



Material	Standard
DX 51 D Z 275 MAC	EN 10 346

REF	CODE	POIDS (Kg)	WEIGHT (lb)
CAQ 50	557 310	0.057	0.038

EPAISSEUR/ THICKNESS	2.5 (0.1")
----------------------	------------