

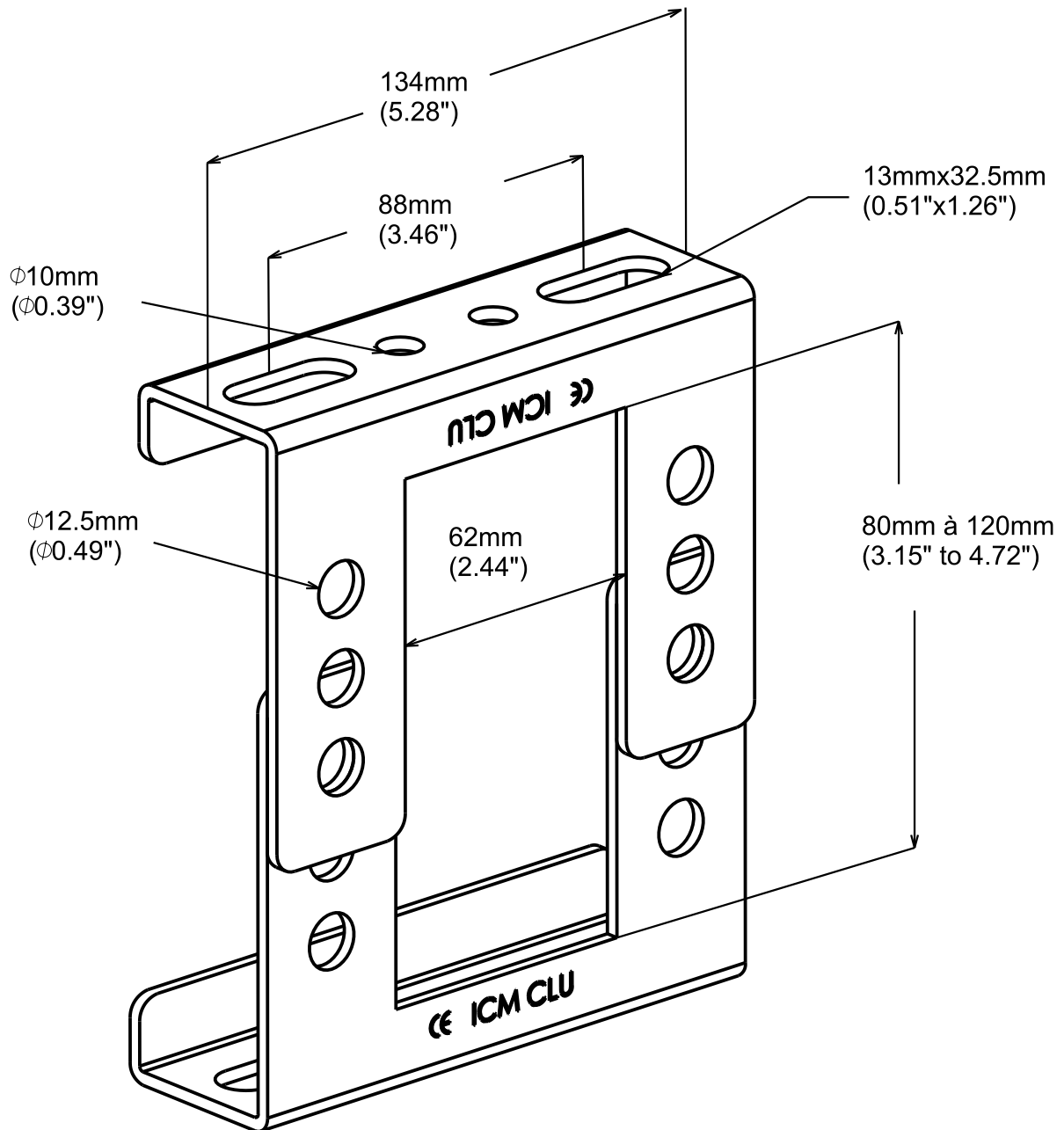
CLU
CLU

GC
HDG

legrand | CABLE
MANAGEMENT

FT0478-3

11 13



| | |
|-----------------------|-------------------|
| EPAISSEUR / THICKNESS | NORMES / STANDARD |
| 3 (0.12") | |
| MATIERE / MATERIAL | EN 10 025 |
| S 235 JR | |
| PROTECTION / COATING | EN ISO 1461 |
| GC / HDG | |

| REF | CODE | POIDS (kg) | WEIGHT (lb) |
|-----|---------|------------|-------------|
| CLU | 595 373 | 0.704 | 1.554 |