

PENDARD PCSN 300 à 600
PCSN HANGER 300 to 600

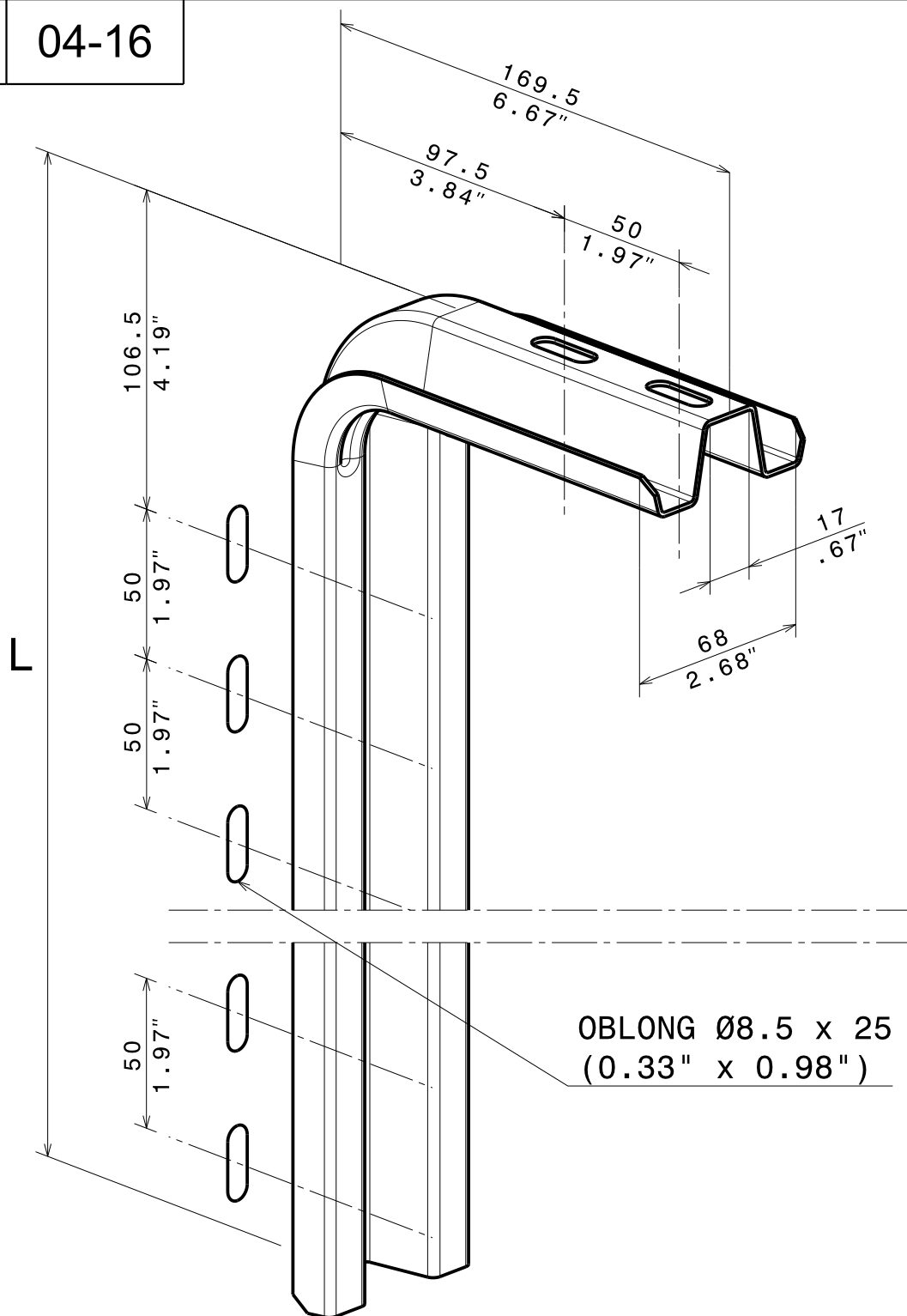
GC
HDG



CABLE
MANAGEMENT

FT0446-3

04-16



OBLONG Ø8.5 x 25
(0.33" x 0.98")

REF	CODE	POIDS / WEIGHT		L (mm)	L (inch)
		(kg)	(lb)		
PCSN-300	556 633	0.650	1.450	278.5	10.95
PCSN-400	556 603	0.910	2.008	378.5	14.90
PCSN-500	556 613	1.100	2.428	478.5	18.84
PCSN-600	556 623	1.280	2.825	578.5	22.77

EPAISSEUR / THICKNESS 1.75 / 0.069	NORME / STANDARD
MATIERE / MATERIAL S 235 JR	EN 10025-2
PROTECTION / COATING GC / HDG	Class 6 according to CEI 61537