

PENDARD PCSN 300 à 600
PCSN HANGER 300 to 600

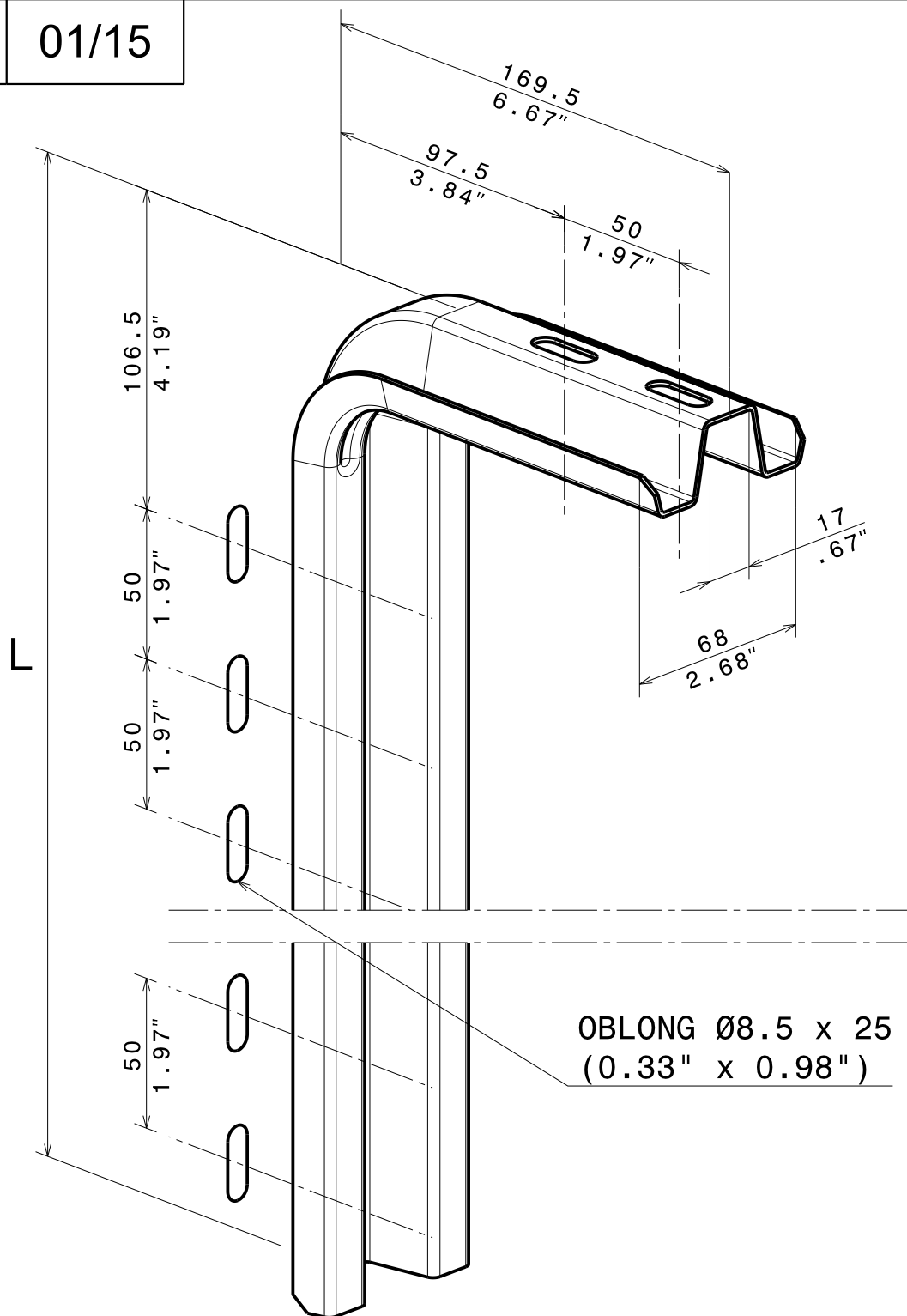
INOX 316L

CABLOFIL®

INNOVATORS IN CABLE MANAGEMENT

FT0446-4

01/15



REF	CODE	POIDS (kg)	WEIGHT (lb)	L (mm)	L (inch)
PCSN-300	556 634	0.510	1.120	278.5	10.95
PCSN-400	556 604	0.870	1.920	378.5	14.90
PCSN-500	556 614	1.040	2.295	478.5	18.84
PCSN-600	556 624	1.220	2.693	578.5	22.77

Material	Standard
X2 Cr Ni Mo 17-12-2	EN 10 088-2

EPAISSEUR / THICKNESS
1.5 / (0.06")