

PENDARD PCSN 300 à 600
PCSN HANGER 300 to 600

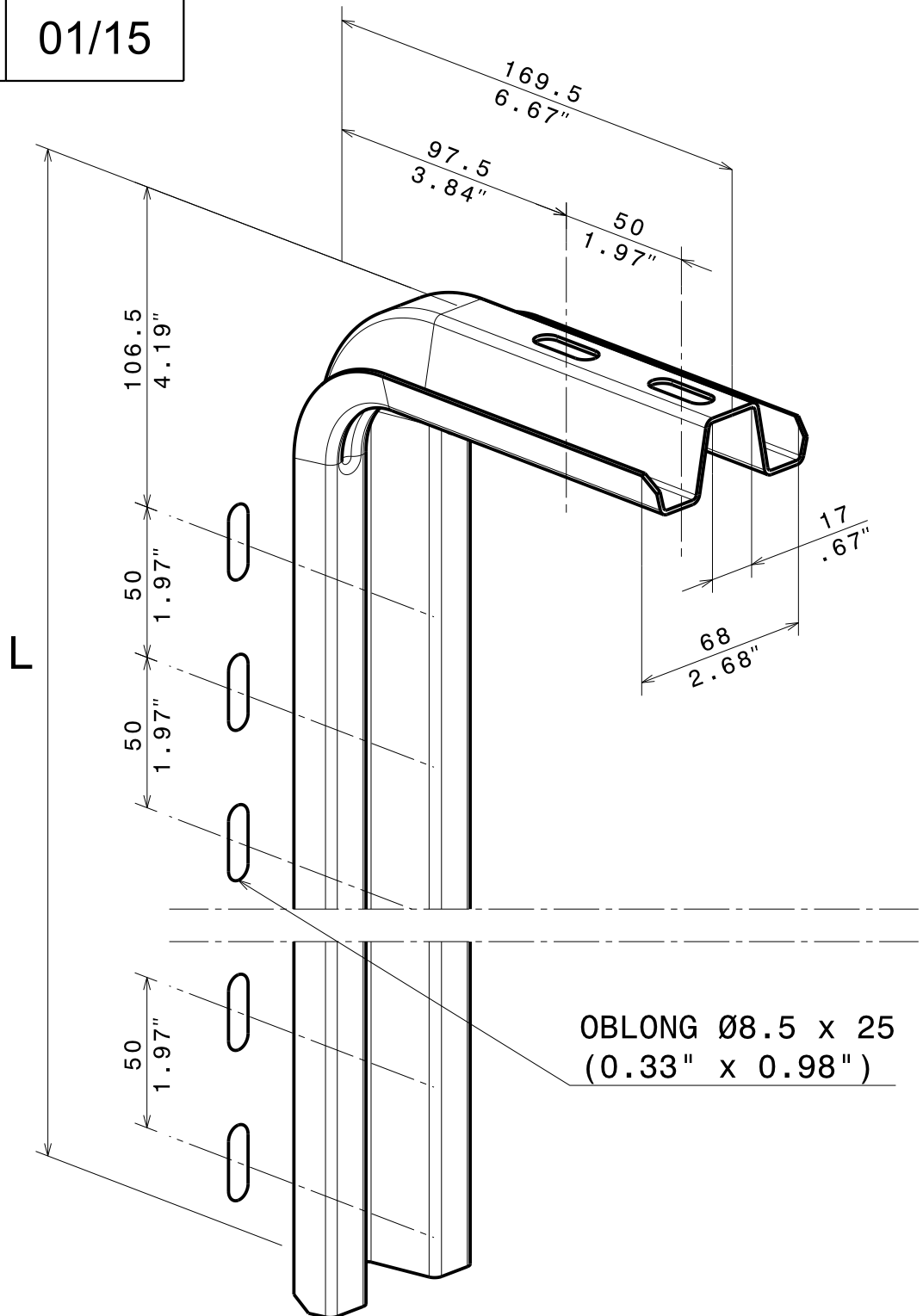
GS
PG

CABLOFIL®

INNOVATORS IN CABLE MANAGEMENT

FT0446-0

01/15



OBLONG Ø8.5 x 25
(0.33" x 0.98")

REF	CODE	POIDS <small>(kg)</small>	WEIGHT <small>(lb)</small>	L <small>(mm)</small>	L <small>(inch)</small>
PCSN-300	556 630	0.610	1.346	278.5	10.95
PCSN-400	556 600	0.870	1.920	378.5	14.90
PCSN-500	556 610	1.040	2.295	478.5	18.84
PCSN-600	556 620	1.220	2.693	578.5	22.77

Material	Standard
DX 51 D Z 275 MAC	EN 10 346

EPAISSEUR / THICKNESS
1.75 / 0.069