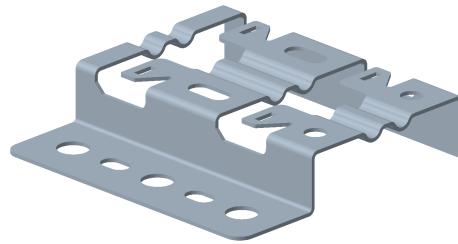
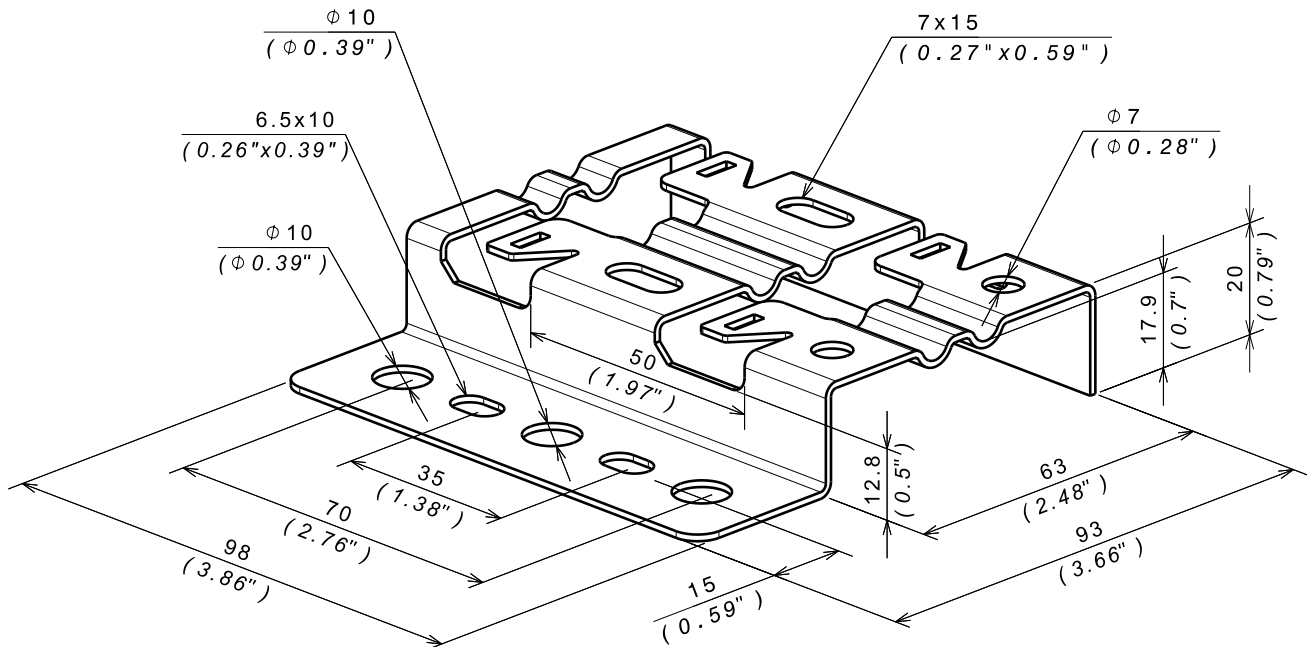


**REHAUSSE R15/100
R15/100 STAND OFF BRACKET**

Reference(s) : 586 170/73/74


1. RANGE

Designation	Code	Poids* / Weight*		Epaisseur / Thickness		Matière / Material	Norme / Standard	Finition / Coating	Classe de résistance contre la corrosion / Class for resistance against corrosion
		(Kg)	(lb)	(mm)	(inch)				
R15/100 GS	586 170	0.093	0.205	1.2	0.05"	DX 51 D Z275 MAC	EN 10346	GS / PG	Class 3 / IEC 61537
R15/100 ZnMg	586 173	0.093	0.205	1.2	0.05"	DX 51 D ZM	EN 10346	ZnMg	Class 8 / IEC 61537
R15/100 SS316L	586 174	0.095	0.210	1.2	0.05"	X2 Cr Ni Mo 17-12-2	EN 10088-2	INOX316L / SS316L	Class 9D / IEC 61537

2. DIMENSIONS (mm/inch)


REHAUSSE R15/100
R15/100 STAND OFF BRACKET

Reference(s) : 586 170/73/74

3. INSTALLATION

