

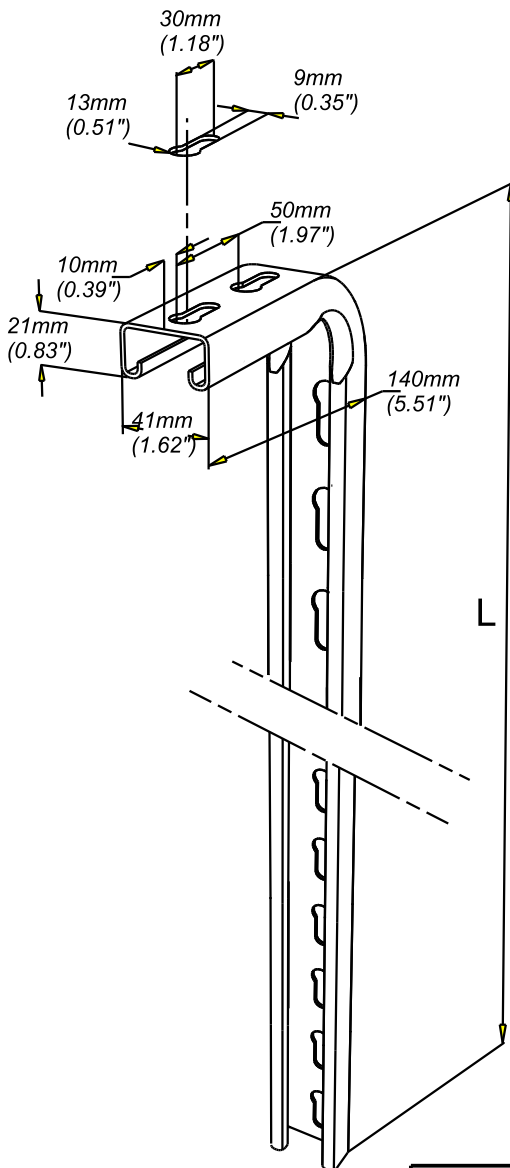
PENDARD CINTRE PC21S  
PC21S BENDED HANGER

GS  
PG

**CABLOFIL®**  
INNOVATORS IN CABLE MANAGEMENT

FT0438-0

04 15



REF	CODE	POIDS (Kg)	WEIGHT (lb)	L (mm)	L (inch)
PC21S 500	557 900	0.960	2.119	500	19.70
PC21S 800	557 910	1.440	3.178	800	23.64

EPAISSEUR / THICKNESS	NORMES / STANDARD
2.5 (0.0985")	
MATIERE / MATERIAL	
DX 51 D Z275 MAC	EN 10346

Propriété exclusive de CABLOFIL, ne peut être ni copié, ni transmis à des tiers sans autorisation écrite.

Exclusive property of CABLOFIL shouldn't be reproduced or transmitted to any people without written authorization