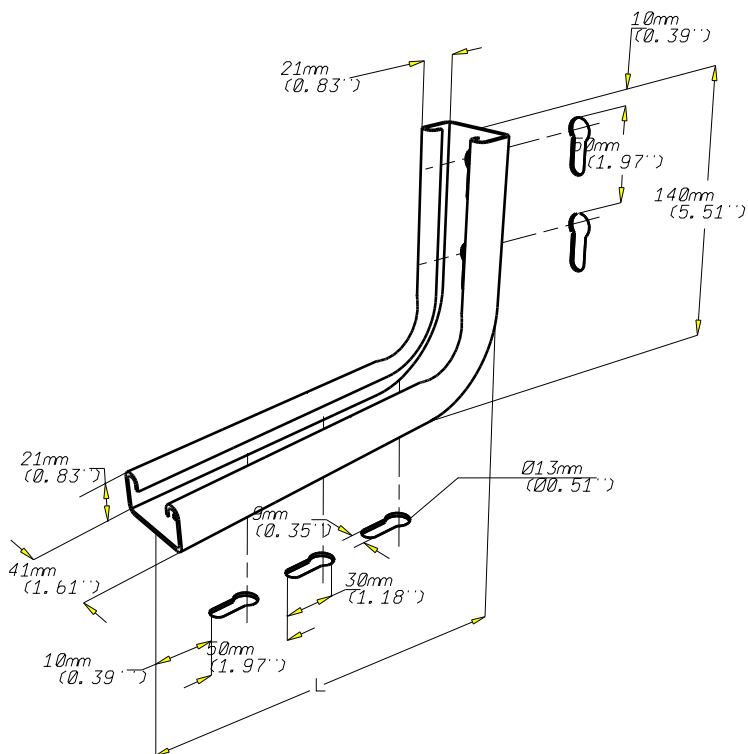


CONSOLE CINTREE CC21S
CC21S BENDED BRACKET

GS
PG

CABLOFIL
INNOVATORS IN CABLE MANAGEMENT

FT0435-0 03 16



REF	CODE	POIDS _(kg)	WEIGHT _(lb)	L _(mm)	L _(Inch)	EP _(mm)	TH _(Inch)
CC21S 150	557 860	0.345	0.760	150	5.91	1.75	0.07
CC21S 200	557 870	0.411	0.910	200	7.88	1.75	0.07
CC21S 300	557 880	0.544	1.200	300	11.82	1.75	0.07
CC21S 400	557 890	0.800	1.760	400	15.76	2.50	0.10

Material	Standard
DX 51 D Z 275	EN 10 346

Propriété exclusive de CABLOFIL, ne peut être ni copié, ni transmis à des tiers sans autorisation écrite.

Exclusive property of CABLOFIL shouldn't be reproduced or transmitted to any people without written authorization