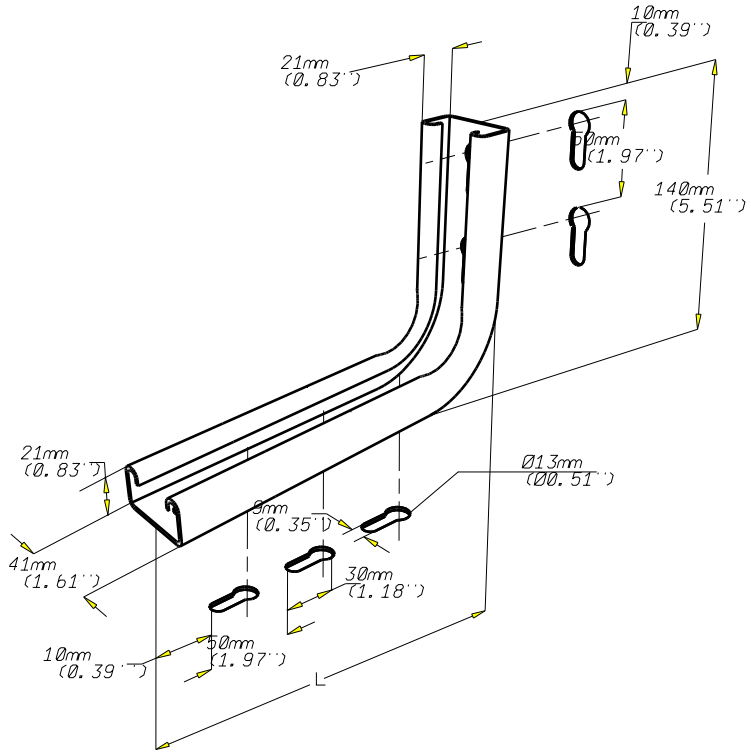


CONSOLE CINTREE CC21S
C21S BENDED BRACKET

316L

CABLOFIL
INNOVATORS IN CABLE MANAGEMENT

FT0435-4 03 16



REF	CODE	POIDS (kg)	WEIGHT (lb)	L (mm)	L (inch)	EP. (mm)	TH ₂ (inch)
CC21S 150	557 864	0.345	0.760	150	5.91	1.75	0.07
CC21S 200	557 874	0.411	0.910	200	7.88	1.75	0.07
CC21S 300	557 884	0.544	1.200	300	11.82	1.75	0.07
CC21S 400	557 894	0.800	1.760	400	15.76	2.50	0.10

Material	Standard
X2 Cr Ni Mo 17-12-2	EN 10 088-2

Propriété exclusive de CABLOFIL, ne peut être ni copié, ni transmis à des tiers sans autorisation écrite.

Exclusive property of CABLOFIL shouldn't be reproduced or transmitted to any people without written authorization