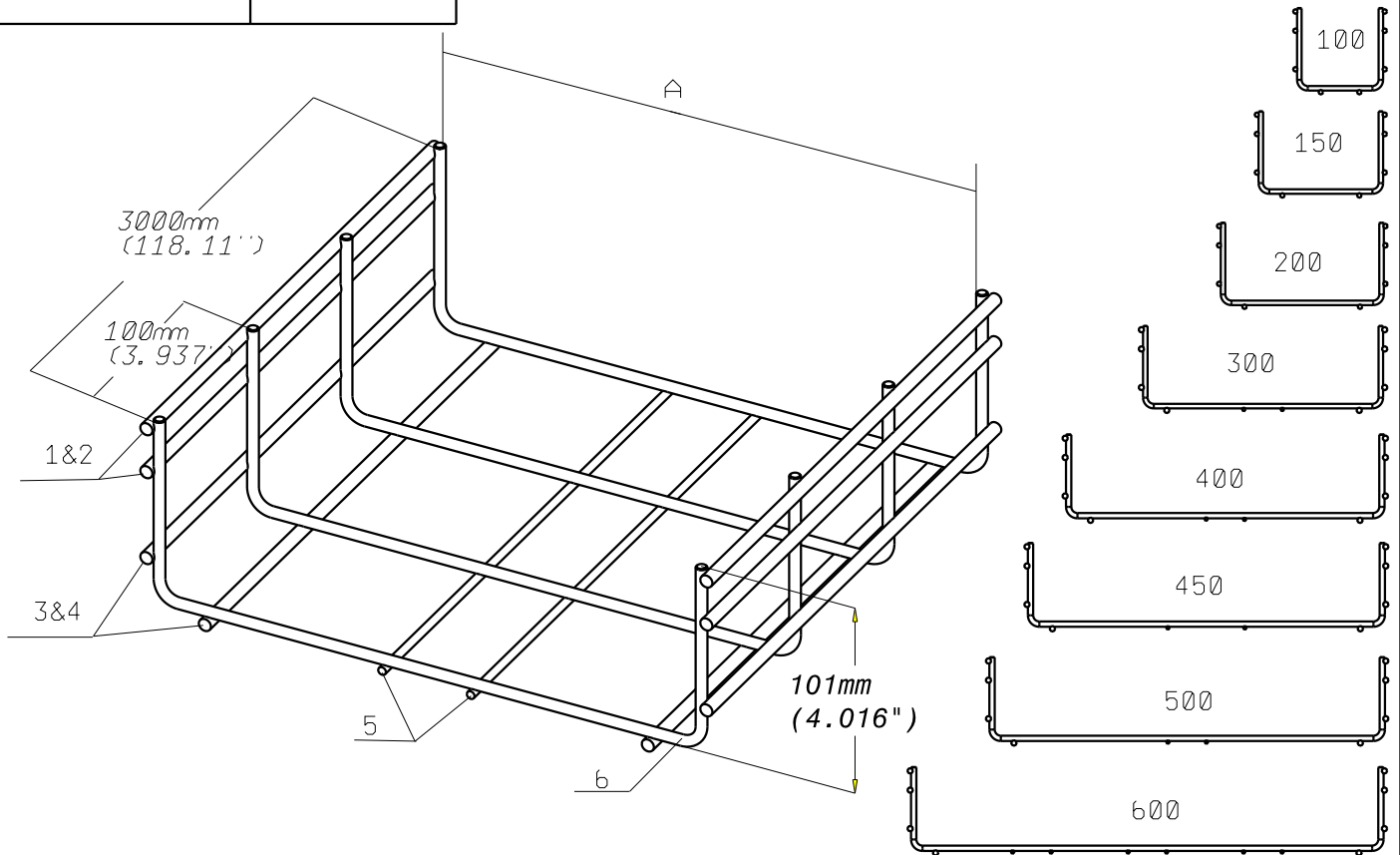


CABLOFIL HDF105

EZ

legrand | CABLE MANAGEMENT

FT0407-1 07 20



	f 1 & 2		f 3 & 4		f 5		f 6	
	mm	inch	mm	inch	mm	inch	mm	inch
HDF 105/100	5.5	0.220	5.5	0.220			5.5	0.220
HDF 105/150	5.5	0.220	5.5	0.220			5.5	0.220
HDF 105/200	6.9	0.270	5.5	0.220			5.5	0.220
HDF 105/300	6.9	0.270	5.5	0.220	4.4	0.170	6.9	0.270
HDF 105/400	6.9	0.270	6.9	0.270	4.4	0.170	6.9	0.270
HDF 105/450	6.9	0.270	6.9	0.270	4.4	0.170	6.9	0.270
HDF 105/500	6.9	0.270	6.9	0.270	4.4	0.170	6.9	0.270
HDF 105/600	6.9	0.270	6.9	0.270	4.4	0.170	6.9	0.270

FIXATION / FIXING

VIS / SCREW :

- 1 point de fixation minimum jusqu'a la largeur 200 mm incluse / 1 minimum fixing point untill width 200 mm included
- 2 points de fixation minimum à partir de la largeur 300 / 2 minimum fixing points from width 300 mm

FS41 :

- Montage FS41 à partir de la largeur 100mm / Mounting FS41 from width 100 mm
- 2 points de fixation minimum quelque soit les largeurs / 2 minimum fixing points whatever width

REF	CODE	POIDS		WEIGHT		A	A	Material	Standard	Finishes	Standard
		kg / m	lb / ft	mm	inch						
HDF105/100	450 621	2.080	1.390	100	3.930	C9D	EN ISO 16120-2	Fe/Zn12/A (EZ)	Class 3 according to CEI 61537		
HDF105/150	450 631	2.180	1.450	150	5.910						
HDF105/200	450 641	2.710	1.810	200	7.870						
HDF105/300	450 661	3.370	2.250	300	11.810						
HDF105/400	450 681	4.460	2.970	400	15.750						
HDF105/450	450 691	4.590	3.060	450	17.720						
HDF105/500	450 701	4.740	3.160	500	19.690						
HDF105/600	450 721	5.520	3.680	600	23.620						

Propriété exclusive de LEGRAND, ne peut être ni copié, ni transmis à des tiers sans autorisation écrite.

Exclusive property of LEGRAND shouldn't be reproduced or transmitted to any people without written authorization