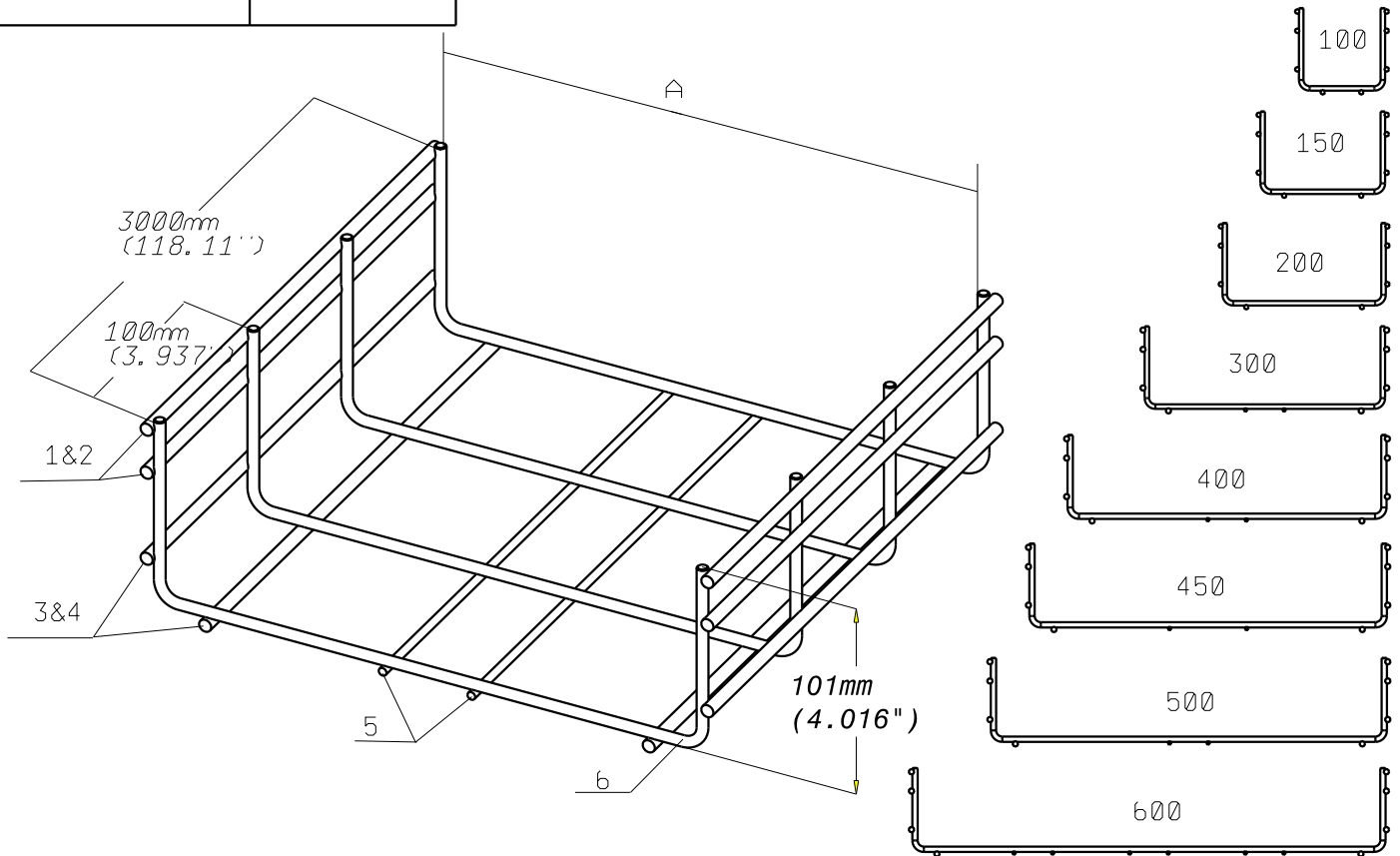


FT0407-3

07 20



	f 1 & 2		f 3 & 4		f 5		f 6	
	mm	inch	mm	inch	mm	inch	mm	inch
HDF 105/100	5.5	0.220	5.5	0.220			5.5	0.220
HDF 105/150	5.5	0.220	5.5	0.220			5.5	0.220
HDF 105/200	6.9	0.270	5.5	0.220			5.5	0.220
HDF 105/300	6.9	0.270	5.5	0.220	4.4	0.170	6.9	0.270
HDF 105/400	6.9	0.270	6.9	0.270	4.4	0.170	6.9	0.270
HDF 105/450	6.9	0.270	6.9	0.270	4.4	0.170	6.9	0.270
HDF 105/500	6.9	0.270	6.9	0.270	4.4	0.170	6.9	0.270
HDF 105/600	6.9	0.270	6.9	0.270	4.4	0.170	6.9	0.270

**FIXATION / FIXING**

**VIS / SCREW :**

- 1 point de fixation minimum jusqu'a la largeur 200 mm incluse / 1 minimum fixing point untill width 200 mm included
- 2 points de fixation minimum à partir de la largeur 300 / 2 minimum fixing points from width 300 mm

**FS41 :**

- Montage FS41 à partir de la largeur 100mm / Mounting FS41 from width 100 mm
- 2 points de fixation minimum quelque soit les largeurs / 2 minimum fixing points whatever width

REF	CODE	POIDS kg / m	WEIGHT lb / ft	A mm	A inch	Material	Standard	Finishes	Standard
HDF105/100	450 623	2.225	1.480	100	3.930				
HDF105/150	450 633	2.330	1.550	150	5.910				
HDF105/200	450 643	2.900	1.930	200	7.870				
HDF105/300	450 663	3.610	2.410	300	11.810				
HDF105/400	450 683	4.770	3.180	400	15.750				
HDF105/450	450 693	4.910	3.270	450	17.720				
HDF105/500	450 703	5.070	3.380	500	19.690				
HDF105/600	450 723	5.910	3.940	600	23.620				