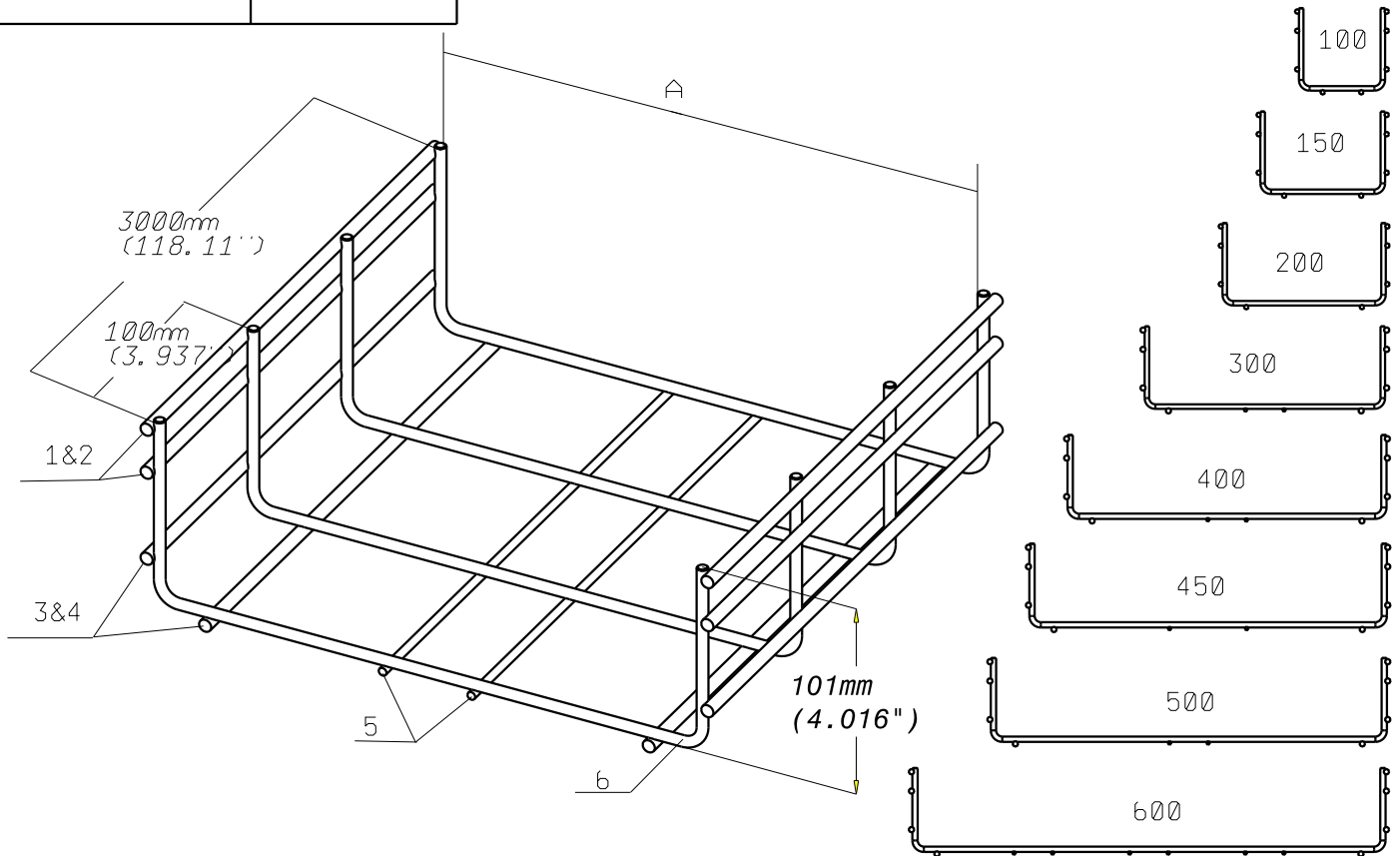


FT0407-1

07 20



| | f 1 & 2 | | f 3 & 4 | | f 5 | | f 6 | |
|-------------|---------|-------|---------|-------|-----|-------|-----|-------|
| | mm | inch | mm | inch | mm | inch | mm | inch |
| HDF 105/100 | 5.5 | 0.220 | 5.5 | 0.220 | | | 5.5 | 0.220 |
| HDF 105/150 | 5.5 | 0.220 | 5.5 | 0.220 | | | 5.5 | 0.220 |
| HDF 105/200 | 6.9 | 0.270 | 5.5 | 0.220 | | | 5.5 | 0.220 |
| HDF 105/300 | 6.9 | 0.270 | 5.5 | 0.220 | 4.4 | 0.170 | 6.9 | 0.270 |
| HDF 105/400 | 6.9 | 0.270 | 6.9 | 0.270 | 4.4 | 0.170 | 6.9 | 0.270 |
| HDF 105/450 | 6.9 | 0.270 | 6.9 | 0.270 | 4.4 | 0.170 | 6.9 | 0.270 |
| HDF 105/500 | 6.9 | 0.270 | 6.9 | 0.270 | 4.4 | 0.170 | 6.9 | 0.270 |
| HDF 105/600 | 6.9 | 0.270 | 6.9 | 0.270 | 4.4 | 0.170 | 6.9 | 0.270 |

FIXATION / FIXING

VIS / SCREW :

- 1 point de fixation minimum jusqu'a la largeur 200 mm incluse / 1 minimum fixing point untill width 200 mm included
- 2 points de fixation minimum à partir de la largeur 300 / 2 minimum fixing points from width 300 mm

FS41 :

- Montage FS41 à partir de la largeur 100mm / Mounting FS41 from width 100 mm
- 2 points de fixation minimum quelque soit les largeurs / 2 minimum fixing points whatever width

| REF | CODE | POIDS | | WEIGHT | | A | A | Material | Standard | Finishes | Standard |
|------------|---------|--------|---------|--------|--------|-----|----------------|----------------|--------------------------------|----------|----------|
| | | kg / m | lb / ft | mm | inch | | | | | | |
| HDF105/100 | 450 621 | 2.080 | 1.390 | 100 | 3.930 | C9D | EN ISO 16120-2 | Fe/Zn12/A (EZ) | Class 3 according to CEI 61537 | | |
| HDF105/150 | 450 631 | 2.180 | 1.450 | 150 | 5.910 | | | | | | |
| HDF105/200 | 450 641 | 2.710 | 1.810 | 200 | 7.870 | | | | | | |
| HDF105/300 | 450 661 | 3.370 | 2.250 | 300 | 11.810 | | | | | | |
| HDF105/400 | 450 681 | 4.460 | 2.970 | 400 | 15.750 | | | | | | |
| HDF105/450 | 450 691 | 4.590 | 3.060 | 450 | 17.720 | | | | | | |
| HDF105/500 | 450 701 | 4.740 | 3.160 | 500 | 19.690 | | | | | | |
| HDF105/600 | 450 721 | 5.520 | 3.680 | 600 | 23.620 | | | | | | |