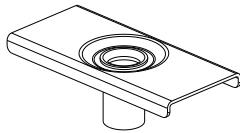
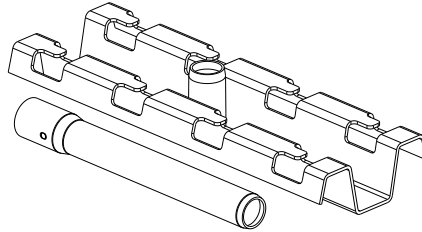


SUSPENTE CENTRALE FAS - SCF
FAS PCH - CENTER HANGER

Reference(s) : 586 156/200/206/210/300/306/400/406
586 450/456/500/506/600/606
586 810/820/830/840



PFSCF



SCF / FASPCH



EXT-SCF

1. USAGE / USE

Support plafond pour chemin de câbles fils avec système FAS (sans vis). A fixer sur tige filetée
Ceiling supports for wire mesh tray with FAS system (screwless). Suspended from threaded rods

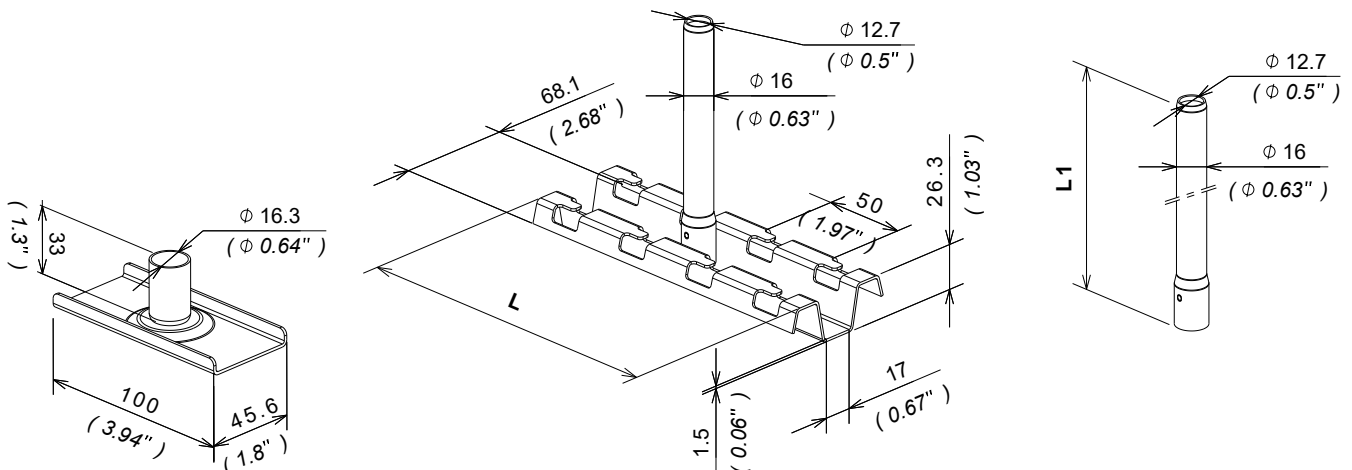
2. GAMME / RANGE

Designation	L		GS			ZnMg-HR		
	(mm)	(inch)	CODE	Poids / Weight (Kg) (lb)		CODE	Poids / Weight (Kg) (lb)	
SCF FASPCH 150	144	5.669	-	-	-	586 156	0.243	0.536
SCF FASPCH 200	194	7.638	586 200	0.301	0.664	586 206	0.303	0.668
SCF FASPCH 325	294	11.575	586 300	0.419	0.924	586 306	0.421	0.928
SCF FASPCH 400	394	15.512	586 400	0.539	1.188	586 406	0.541	1.193
SCF FASPCH 450	444	17.480	586 450	0.599	1.321	586 456	0.601	1.325
SCF FASPCH 500	494	19.449	586 500	0.659	1.453	586 506	0.661	1.457
SCF FASPCH 600	594	23.386	586 600	0.778	1.715	586 606	0.780	1.720

Designation	GS		
	CODE	Poids / Weight (Kg) (lb)	
PFSCF	586 210	0.08	0.176

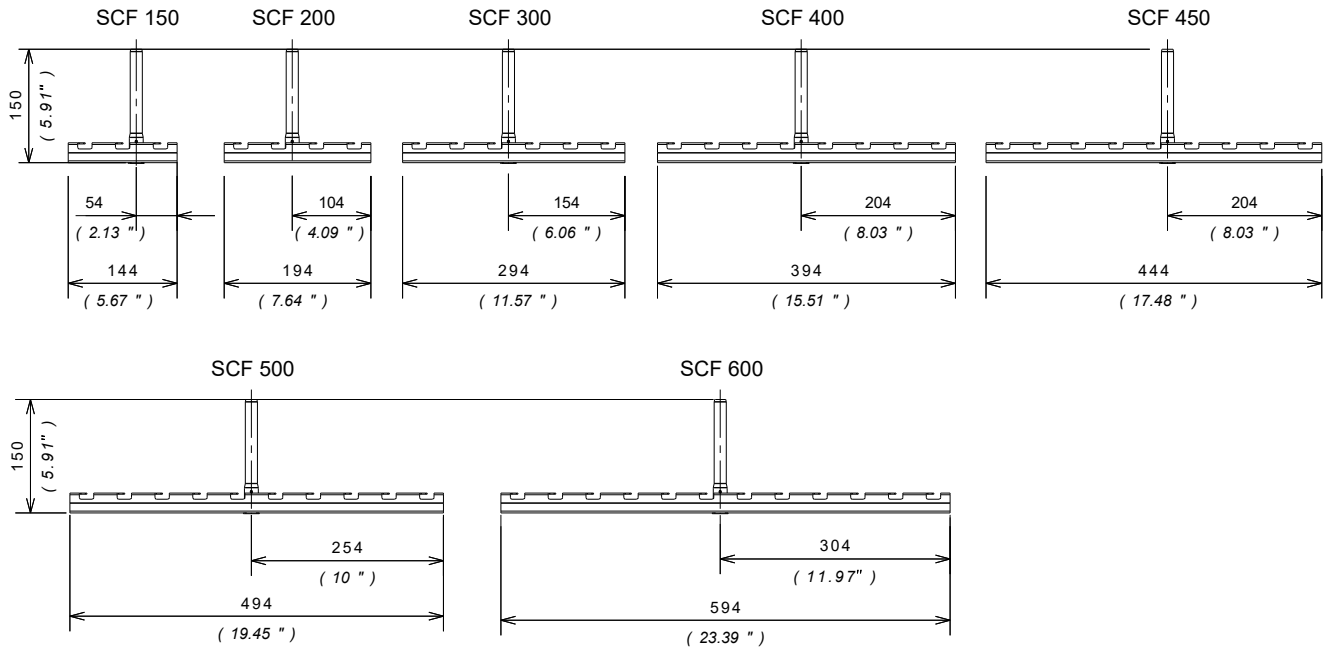
Designation	L1		EZ		
	(mm)	(inch)	CODE	Poids / Weight (Kg) (lb)	
EXT-SCF 50	80	3.15	586 810	0.032	0.071
EXT-SCF 100	130	5.118	586 820	0.051	0.112
EXT-SCF 150	180	7.087	586 830	0.070	0.154
EXT-SCF 300	355	13.976	586 840	0.137	0.302

3. DIMENSIONS (mm/inch)



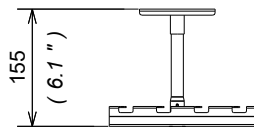
3. DIMENSIONS (mm/inch)

3.1 SCF

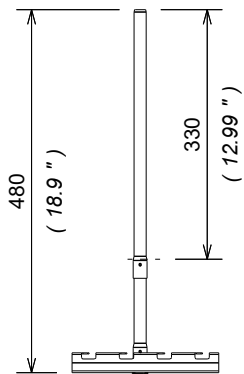


3.2 SCF + PFSCF

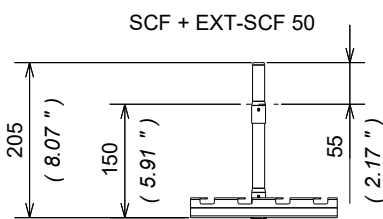
SCF + PFSCF



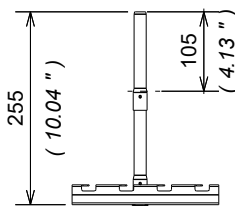
SCF + EXT-SCF 325



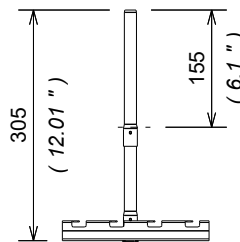
3.2 SCF + EXT-SCF



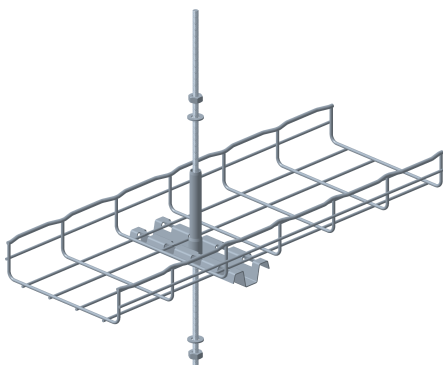
SCF + EXT-SCF 100



SCF + EXT-SCF 150



4. FIXATION / FIXING



M8 1/4"
 M10 3/8"
 M12 1/2"



x1





x2



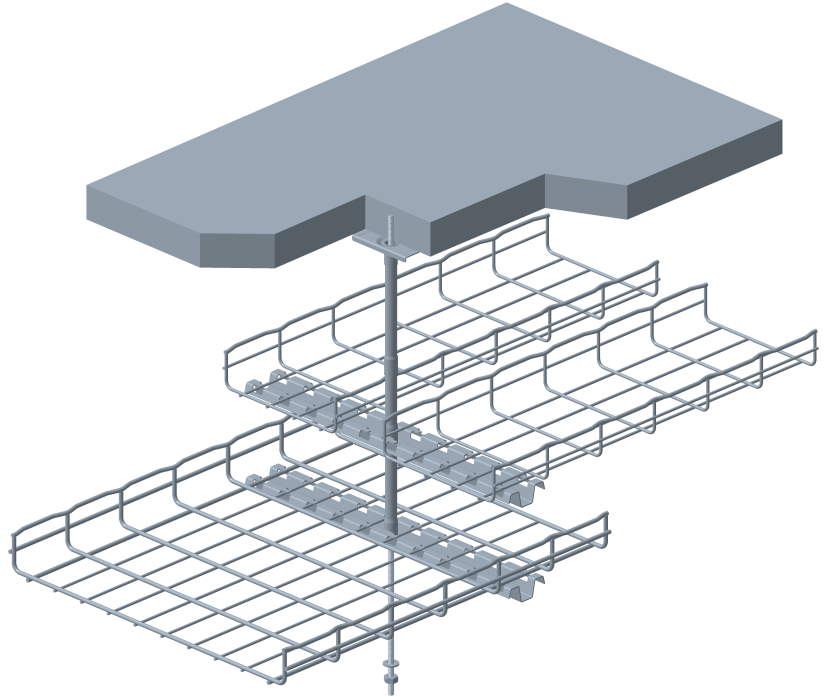
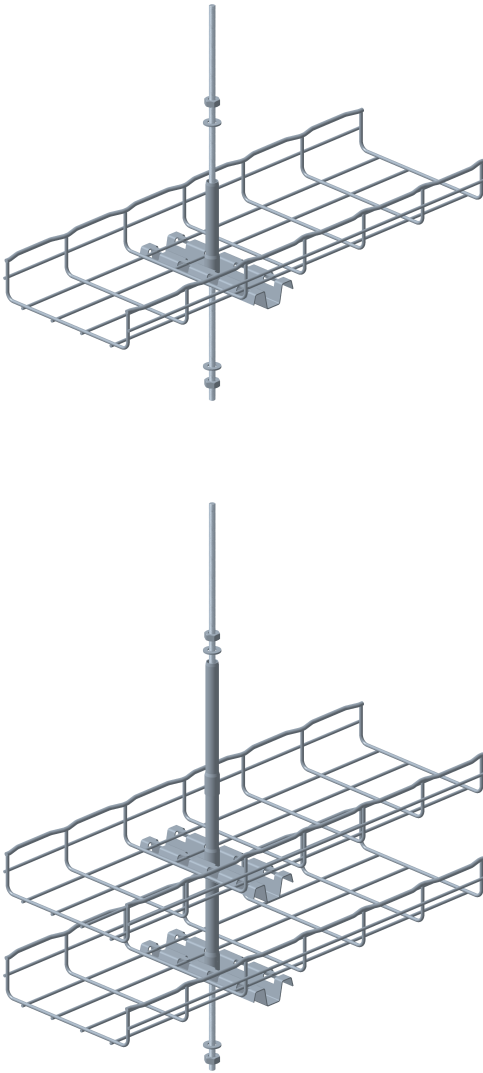
x2




5. INSTALLATION

 CF30 → CF150

 ZF31 H 25 → 100

 100 → 600



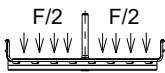
		 + 
SCF FASPCH 150	100 ou/ou 150	X
SCF FASPCH 200	200	X
SCF FASPCH 300	300	100 + 100
SCF FASPCH 400	400	150 + 150
SCF FASPCH 450	450	200 + 150
SCF FASPCH 500	500	200 + 200
SCF FASPCH 600	600	200 + 200

6. DONNEES TECHNIQUES/ TECHNICAL DATA

■ **6.1 Caractéristiques matières / Material characteristics**

Finition / Material finish	Matière / Material	Norme / Standard	Classe de résistance contre la corrosion / Resistance class against corrosion
GS	DX51D Z275	EN 10 346	Classe 3 - CEI 61537 / Class 3 - IEC 61537
EZ (tubes)	E220+CR2 S4	EN 10 305-3	
ZnMg-HR	DX51D + ZM	EN 10 346	Classe 8 - CEI 61537 / Class 8 - IEC 61537
	(Tubes) E220+CR2 S3	EN 10 305-3	

7. CHARGE PRATIQUE DE SECURITE / SAFE WORKING LOAD

CPS / SWL	
	F (daN)
SCF FASPCH 150	300
SCF FASPCH 200	300
SCF FASPCH 300	160
SCF FASPCH 400	140
SCF FASPCH 450	130
SCF FASPCH 500	120
SCF FASPCH 600	100

