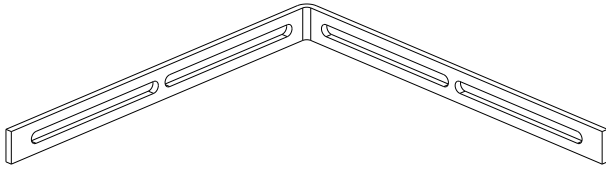
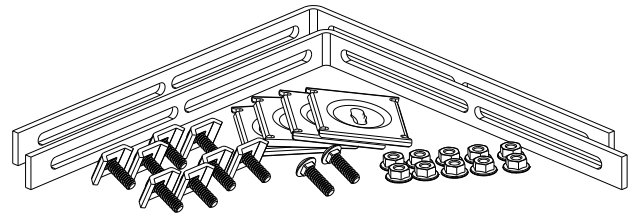


ECLISSE COUDEE EZT 90
EZT 90 BEND SPLICE

Reference(s) : 840 231/233/236



840 231 - 840 233



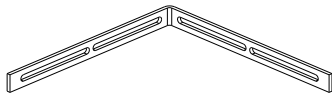
840 236

1. USAGE / USE

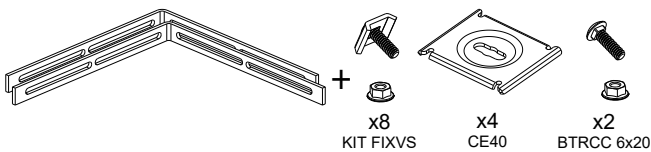
Eclisse de jonction coudée pour chemins de câble fil.
Bend splice for wire mesh tray.

2. GAMME / RANGE

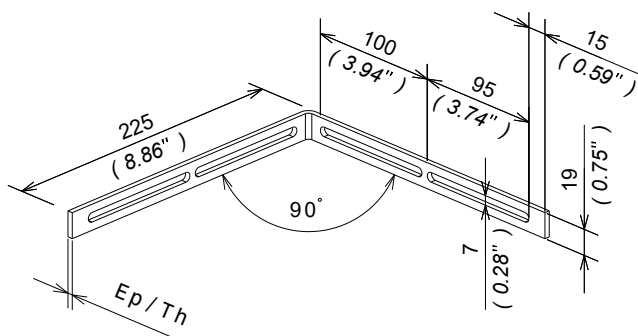
| Designation | Code | Finition / Coating | Poids / Weight | | Epaisseur / Thickness | |
|-------------|---------|--------------------|----------------|-------|-----------------------|--------|
| | | | (Kg) | (lb) | (mm) | (inch) |
| EZT90 | 840 231 | EZ | 0.188 | 0.414 | 4 | 0.157 |
| | 840 233 | GC/HDG | 0.196 | 0.432 | | |






| Designation | Code | Finition / Coating | Poids / Weight | | Epaisseur / Thickness | |
|-------------------|---------|--------------------|----------------|-------|-----------------------|--------|
| | | | (Kg) | (lb) | (mm) | (inch) |
| EDZT90 KIT | 840 236 | ZnNi-HR | 0.728 | 1.605 | 4 | 0.157 |

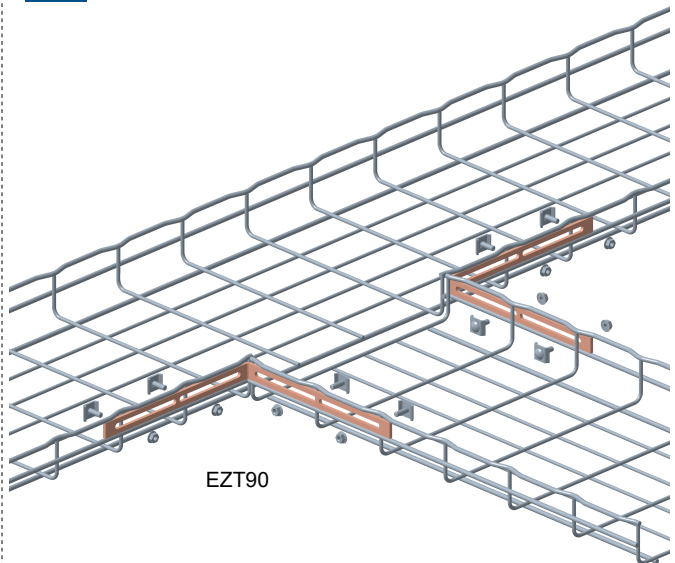
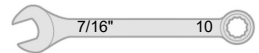


3. DIMENSIONS (mm/inch)

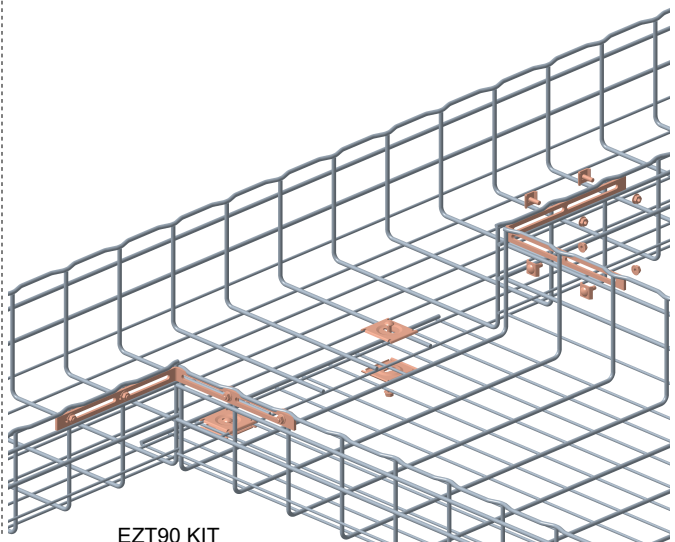


4. INSTALLATION

-  CF/HDF54 - CF/HDF105 - CF150
-  ZF31 H 25 → 50
-  50 → 900

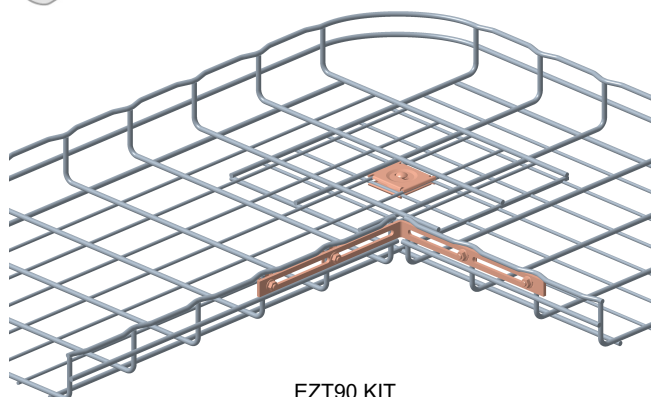
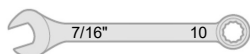


EZT90



EZT90 KIT

4. INSTALLATION (Suite / Cont.)



EZT90 KIT

5. DONNEES TECHNIQUES/ TECHNICAL DATA

■ 5.1 Caractéristiques matières / Material characteristics

| Finition / Material finish | Matière / Material | Norme / Standard | Classe de résistance contre la corrosion/ Resistance class against corrosion |
|-------------------------------|-----------------------|---------------------|---|
| EZ | S 235 JR | EN 10 025 | Class 3 / IEC61537 |
| GC/HDG | | | Class 6 / IEC61537 |
| ZnNi-HR | | | Class 8 / IEC61537 |

■ 5.2 Caractéristiques climatiques / climatic characteristics

Température de stockage et d'utilisation / storage and operating
temperature : - 20° C à + 120° C