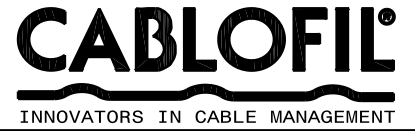
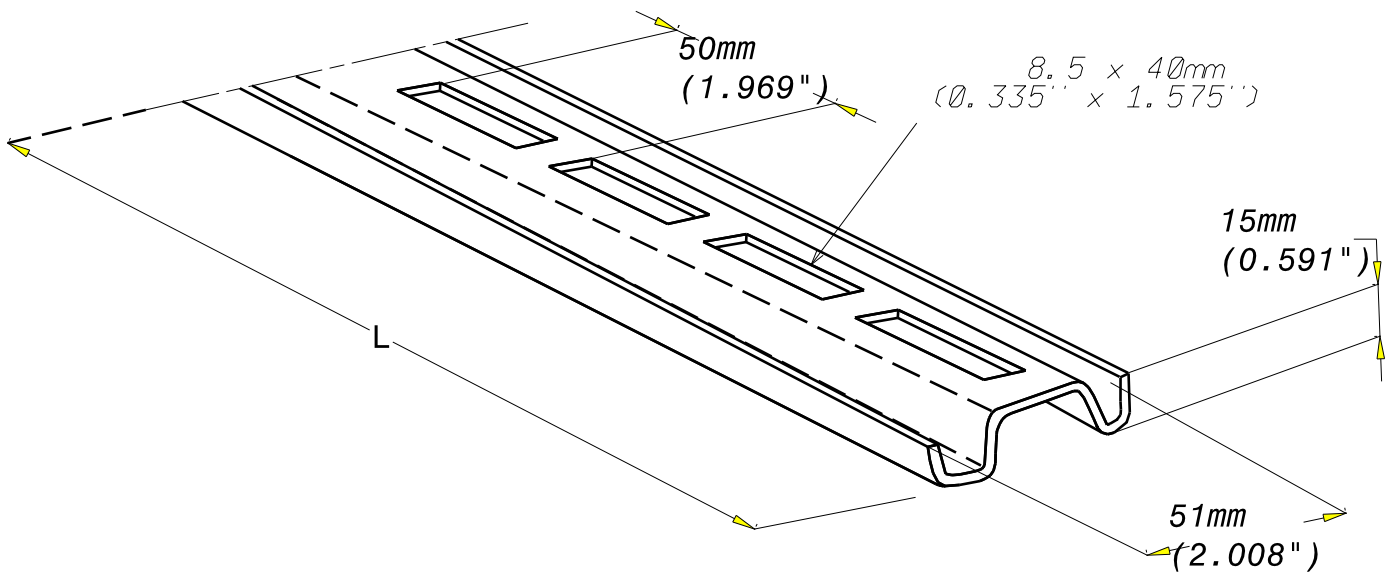


RAIL CS
CS CHANNEL

GC
HDG



FT0356-3 | **03 16**



Material	Standard	Finishes	Standard
S 235 JR	EN 10 025-2	Hot dip galvanized	EN ISO 1461

REF	CODE	POIDS (kg)	WEIGHT (lb)	L (mm)	L (inch)	Ep.	Th.
RCS 1000	002 923	1.319	2.910	1000	39.37	2.5	Ø. 1
RCS 2000	002 933	2.637	5.820	2000	78.74	2.5	Ø. 1
RCS 3000	002 943	3.956	8.720	3000	118.11	2.5	Ø. 1

Propriété exclusive de CABLOFIL, ne peut être ni copié, ni transmis à des tiers sans autorisation écrite.
Exclusive property of CABLOFIL shouldn't be reproduced or transmitted to any people without written authorization