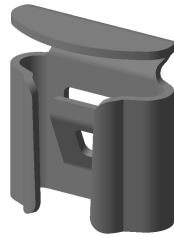
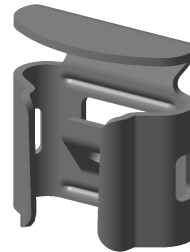


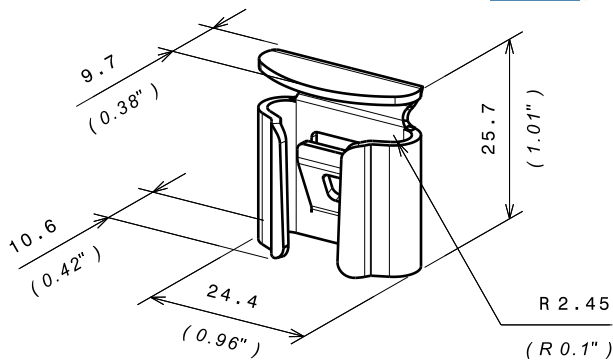
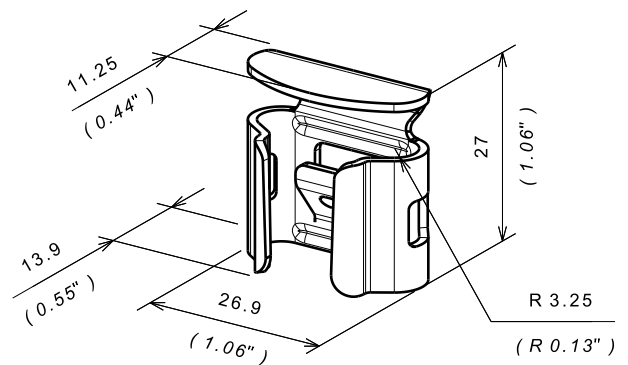
FASLOCK AUTO

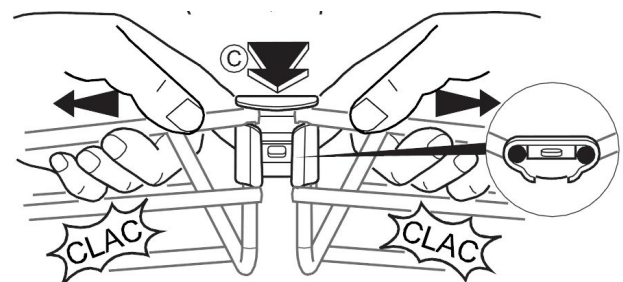
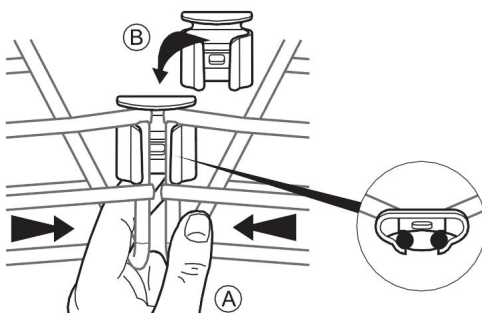
 Reference(s) : 558 340/3443/46/347
558 320/324/326/327

FASLOCK AUTO S

FASLOCK AUTO XL
1. GAMME / RANGE

Designation	Code	Poids / Weight (Kg) (lb)		Epaisseur / Thickness (mm) (inch)		Matière / Material	Norme / Standard	Finition / Coating	Classe de résistance contre la corrosion/ Resistance class against corrosion
FASLOCK AUTO S EZ	558 340	0.011		1.2		DC01 C490	EN 10 130	EZ	Class 3 / IEC 61537
FASLOCK AUTO S ZnL	558 347							ZnL	Class 6 / IEC 61537
FASLOCK AUTO S 316L	558 344					X2 Cr Ni Mo 17/12/2	EN 10 088-2	IN316L / SS316L	Class 9D / IEC 61537
FASLOCK AUTO S ZnNi	558 346								DC01 C490
FASLOCK AUTO XL EZ	558 320	0.013		1.2		DC01 C490	EN 10 130	EZ	Class 3 / IEC 61537
FASLOCK AUTO XL ZnL	558 327							ZnL	Class 6 / IEC 61537
FASLOCK AUTO XL 316L	558 324					X2 Cr Ni Mo 17/12/2	EN 10 088-2	IN316L / SS316L	Class 9D / IEC 61537
FASLOCK AUTO XL ZnNi	558 326								DC01 C490

2. DIMENSIONS (mm/inch)

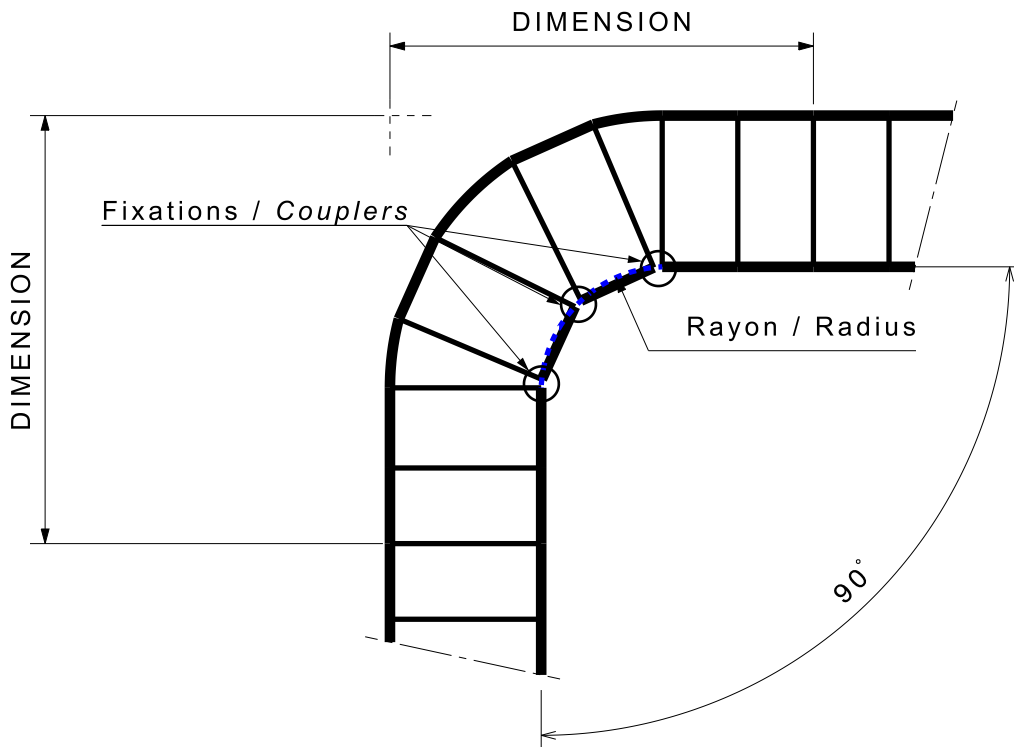
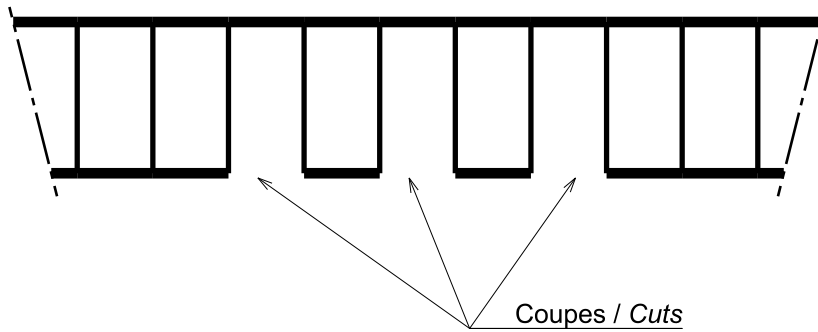

CF30 - CF54 - CF105


FASLOCK S 50 → 200mm

FASLOCK XL 300 → 600mm

3. INSTALLATION


FASLOCK AUTO

 Reference(s) : 558 340/3443/46/347
 558 320/324/326/327

3. INSTALLATION


Designation	Largeur CdC / Width	Coupes / Cuts	Fixtions / fixings	Rayon intérieur / internal radius (mm)	Dimension (mm)
FASLOCK AUTO S	100	2	2	90	400
	150	3	3	170	530
	200	4	4	250	660
FASLOCK AUTO XL	300	6	6	400	915
	400	8	8	555	1170
	450	9	9	630	1280
	500	10	10	710	1425
	600	12	12	865	1680