

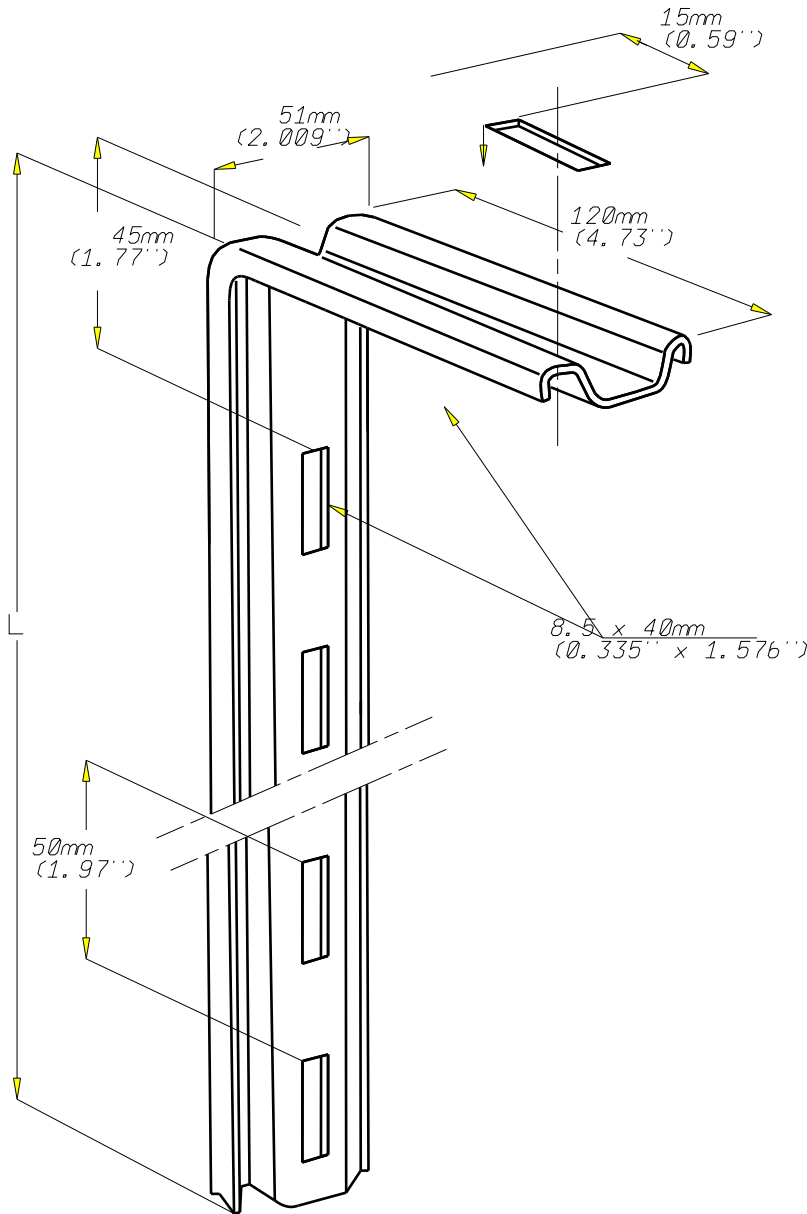
PENDARD PS
PS HANGER

316L

CABLOFIL
INNOVATORS IN CABLE MANAGEMENT

FT0302-4

03 16



INTERIEUR (INSIDE)

Material	Standard
X2 Cr Ni Mo 17-12-2	EN 10 088-2

REF	CODE	L (mm)	L (inch)	POIDS (kg)	WEIGHT (lb)
PS 400	002 734	445	17,520	0.650	1.435
PS 500	002 744	545	21,457	0.760	1.677
PS 600	002 754	645	25,394	0.880	1.942

EPAISSEUR / THICKNESS
2.5 / 0.1''

Propriété exclusive de CABLOFIL, ne peut être ni copié, ni transmis à des tiers sans autorisation écrite.

Exclusive property of CABLOFIL shouldn't be reproduced or transmitted to any people without written authorization