

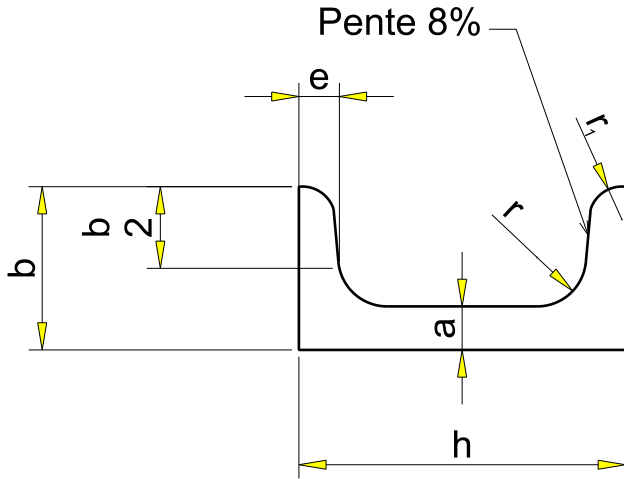
UPN PERFORE UPNP80
UPNP80 SLOTTED UPN

GC
HDG

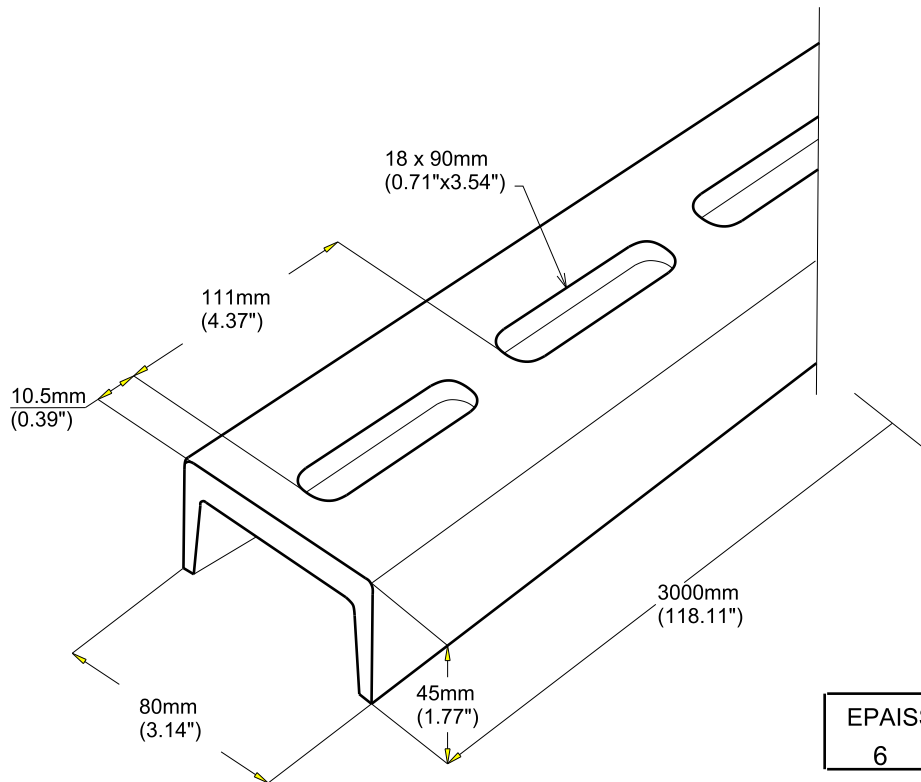
CABLOFIL®
INNOVATORS IN CABLE MANAGEMENT

FT0274-3

03 12



Dimensions						
	h	b	a	e	r	r ₁
mm	80	45	6	8	8	4
inch	3.14	1.77	0.24	0.31	0.31	0.16



EPAISSEUR / THICKNESS
6 / (0.24")

REF	CODE	POIDS (Kg/m)	WEIGHT (lb/ft)
UPNP 80	910 043	8.250	5.549

Material	Standard	Finishes	Standard
S235JR	EN 10025	Hot dip galvanized	EN ISO 1461

Propriété exclusive de CABLOFIL, ne peut être ni copié, ni transmis à des tiers sans autorisation écrite.

Exclusive property of CABLOFIL shouldn't be reproduced or transmitted to any people without written authorization