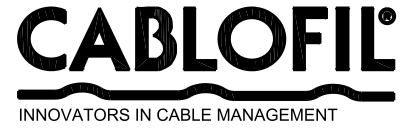


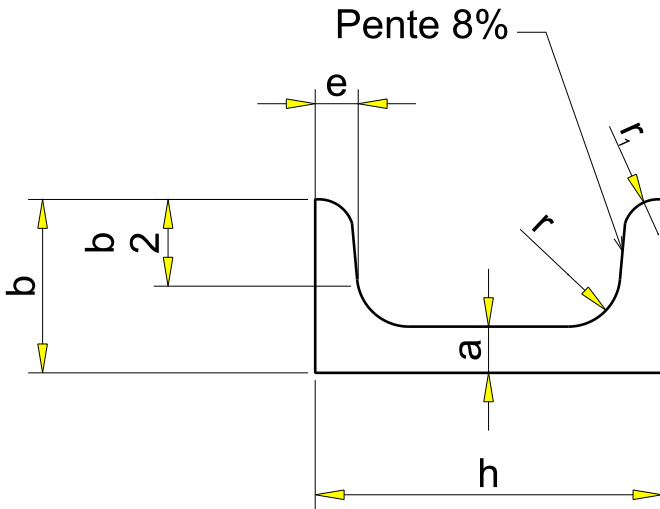
UPN PERFORE UPNP60
UPNP60 SLOTTED UPN

GC
HDG

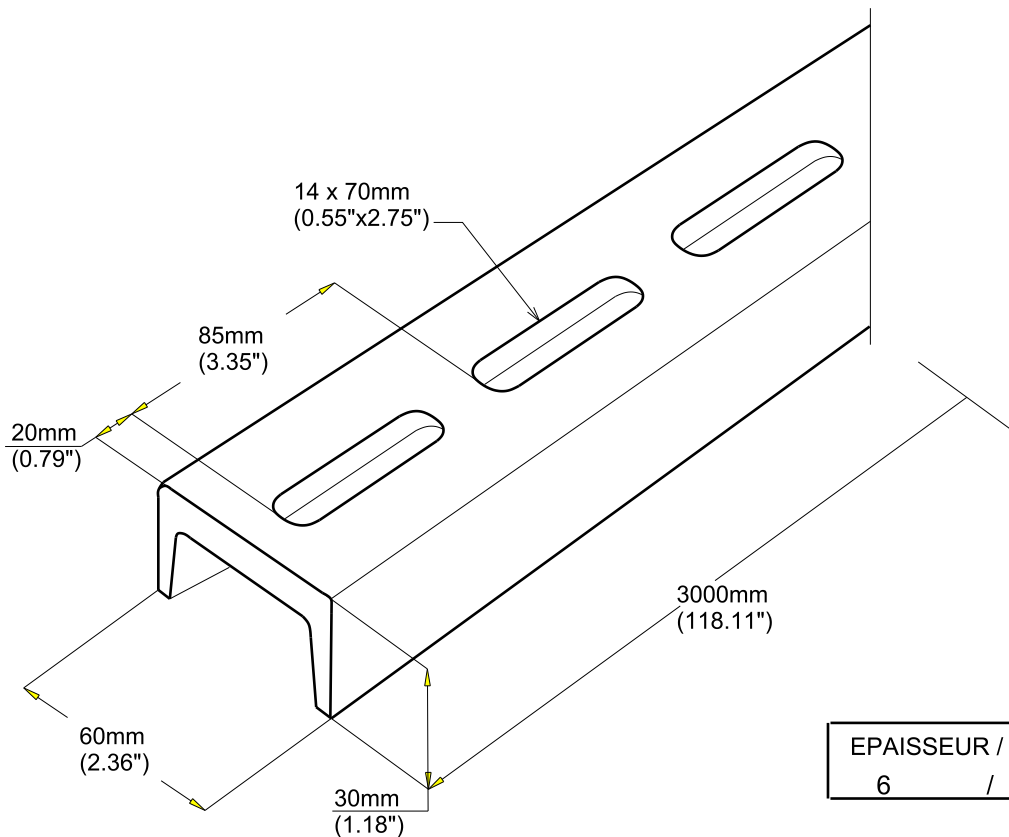


FT0273-3

03 16



Dimensions						
	h	b	a	e	r	r ₁
mm	60	30	6	6	6	3
inch	2.36	1.18	0.24	0.24	0.24	0.12



EPAISSEUR / THICKNESS
6 / (0.24")

REF	CODE	POIDS (Kg/m)	WEIGHT (lb/ft)
UPNP 60	910 033	4.750	3.195

Material	Standard	Finishes	Standard
S235JR	EN 10025	Hot dip galvanized	EN ISO 1461