

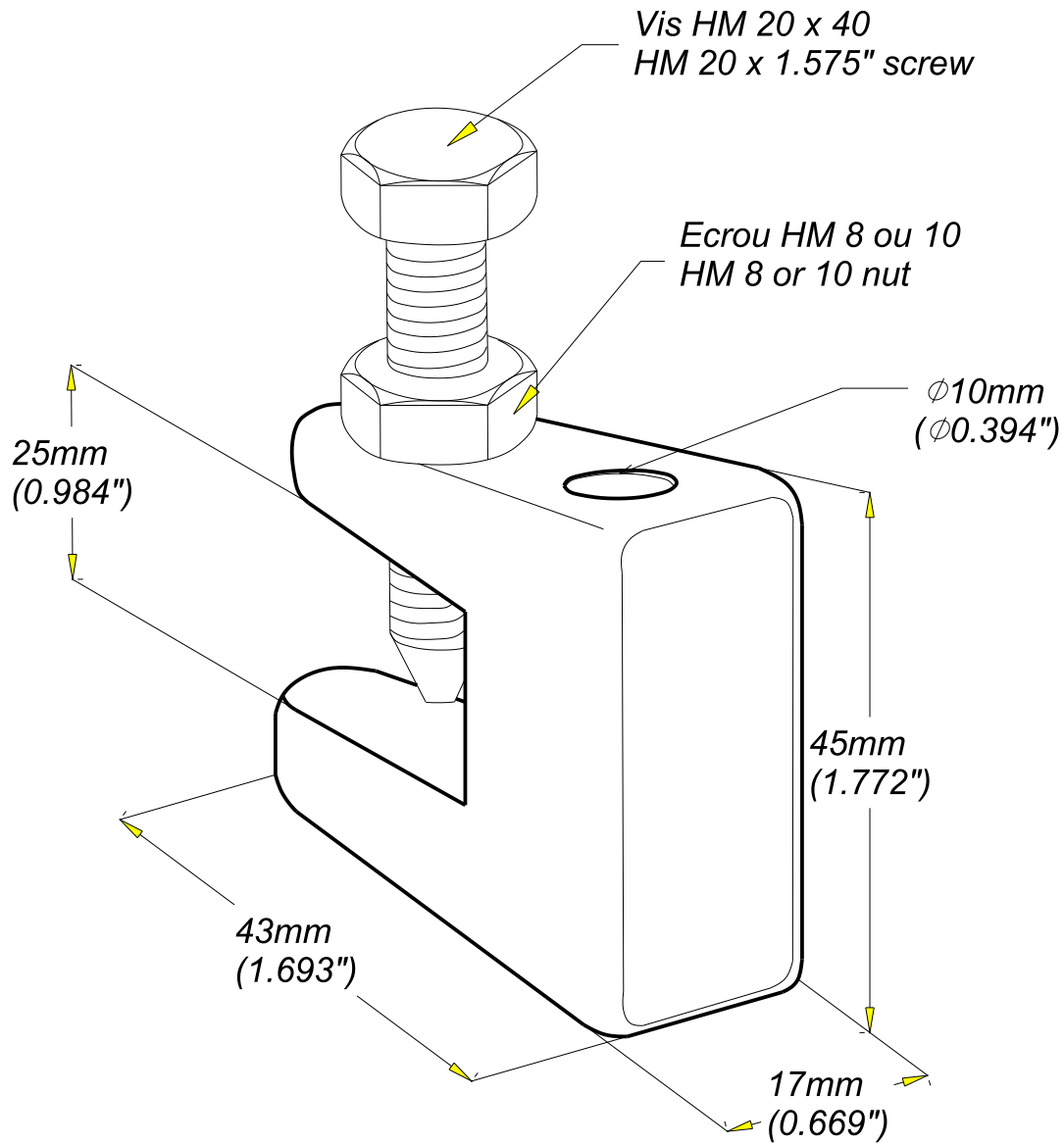
PATTE D'ENCRAGE PA23
PA23 LEG OF ANCHORING

EZ

legrand® CABLE
MANAGEMENT

FT0269-1

11 13



REF	CODE	POIDS / WEIGHT <small>(Kg) (lb)</small>		MATIERE / MATIERAL S235 JR	NORMES / STANDARD
PA 23	559 301	0.160	0.353	PROTECTION / COATING Fe / Zn12 / A	EN 10025 EN ISO 2081