

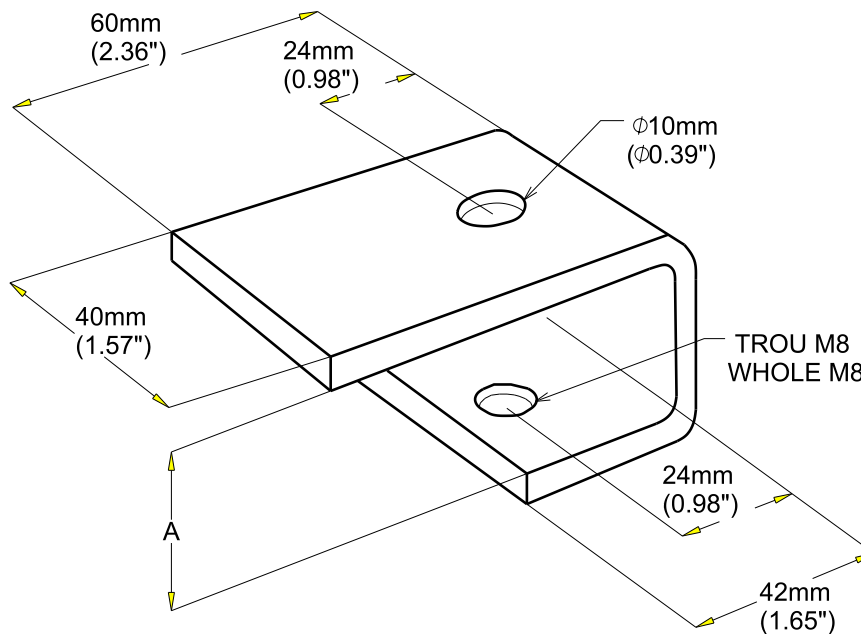
ETRIER ET20 et ET30
ET20 and ET30 U BOLT

GC
HDG

CABLOFIL
INNOVATORS IN CABLE MANAGEMENT

FT0267-3

02 16



Material	Standard	Finishes	Standard
S235JR	EN 10025	Hot dip galvanized	EN ISO 1461

REF	CODE	POIDS (Kg)	WEIGHT (lb)	A (mm)	A (inch)
ET 20	559 033	0.180	0.397	20	0.79
ET 30	559 043	0.210	0.463	30	1.18

EPAISSEUR / THICKNESS
6 / (0.24")