

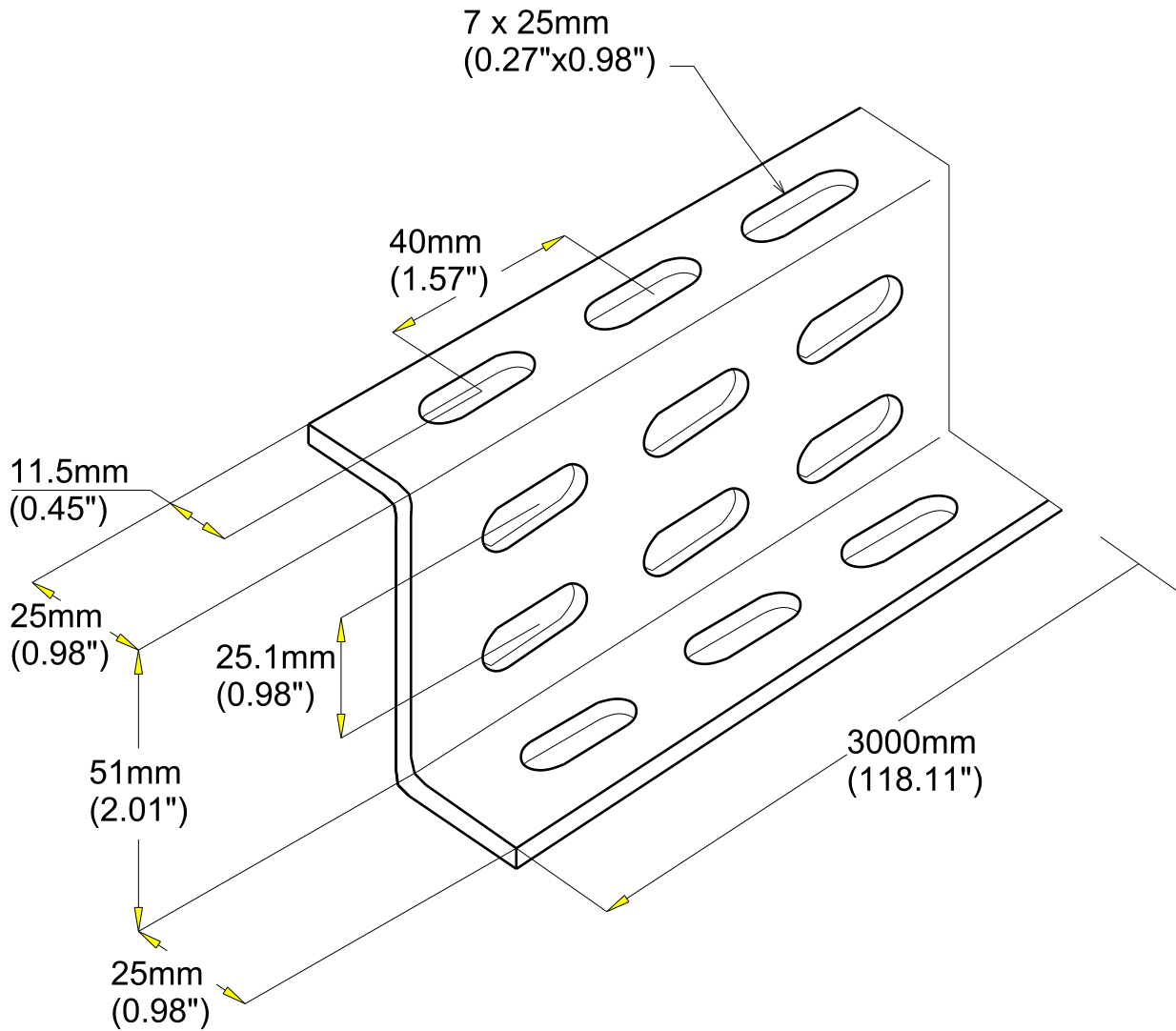
PROFIL Z Z24x48x24
Z SECTION Z24x48x24

GC
HDG

CABLOFIL®
INNOVATORS IN CABLE MANAGEMENT

FT0264-3

03 16



Material	Standard	Finishes	Standard
S235JR	EN 10025	Hot dip galvanized	EN ISO 1461

REF	CODE	POIDS (Kg/m)	WEIGHT (lb/ft)
Z 24x48x24	524 211	1.090	0.733

EPAISSEUR / THICKNESS
1.5 / (0.06")