

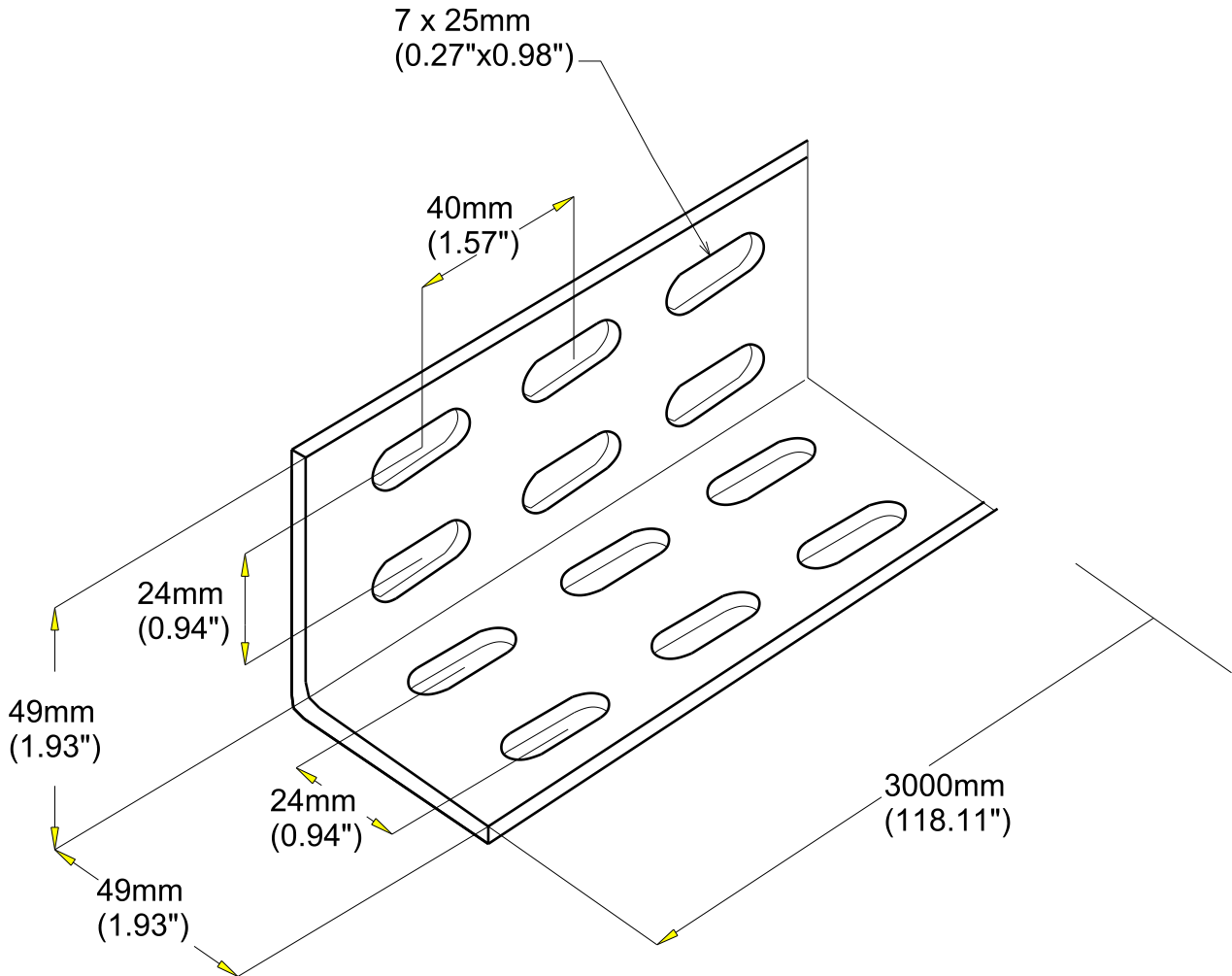
CORNIERE COR 48 / 48  
COR 48 / 48 ANGLE

GS  
PG

**legrand** | CABLE  
MANAGEMENT

FT0261-0

03 16



REF	CODE	POIDS (Kg/m)	WEIGHT (lb/ft)
COR 48/48	524 182	0.860	0.578

Material	Standard
DX51D Z 275 MAC	EN 10 346

EPAISSEUR / THICKNESS
1.35 / (0.05")