

PROFIL U UBD 40
U SECTION UBD 40

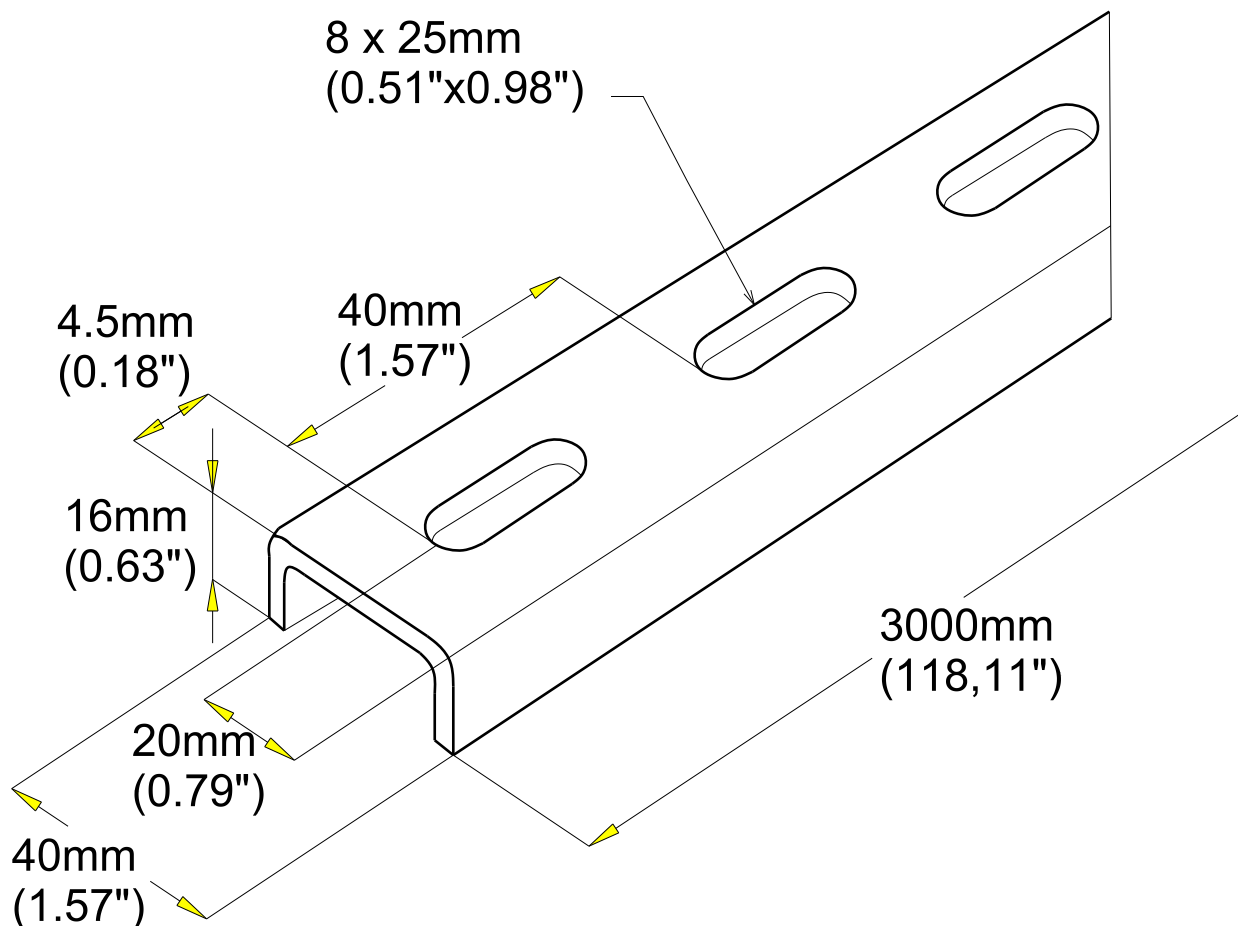
GS
PG



CABLE
MANAGEMENT

FT0257-0

08 01



Material	Standard
DX51D Z 275 MAC	EN 10 346

REF	CODE	POIDS (Kg/m)	WEIGHT (lb/ft)
UBD 40	524 142	0.820	0.552

EPAISSEUR / THICKNESS
1.75 / (0.07")