

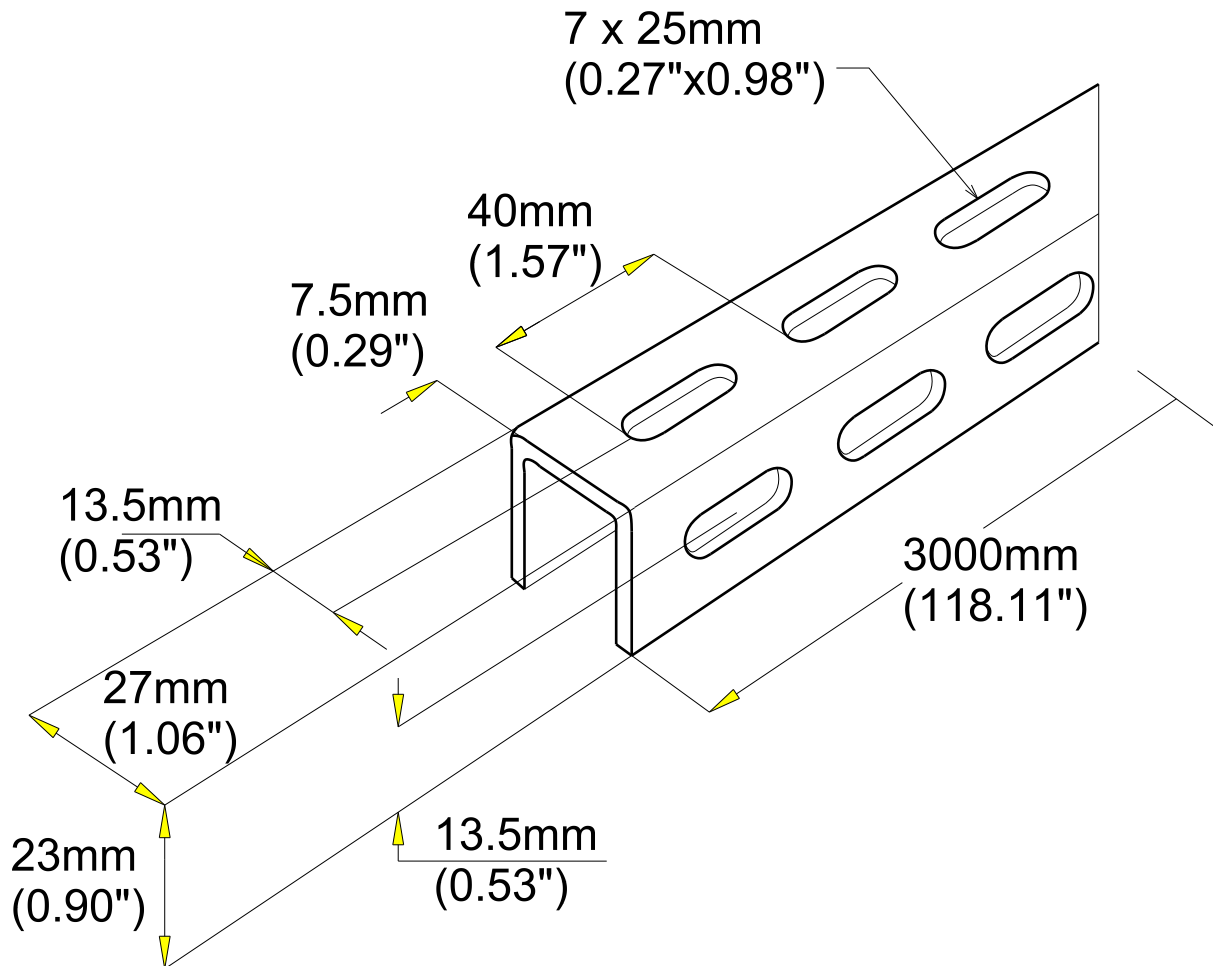
PROFIL U U 24 / 24 / 24
 U SECTION U 24 / 24 / 24

GS
 PG

legrand | CABLE
 MANAGEMENT

FT0255-0

02 16



Material	Standard
DX51D Z 275 MAC	EN 10 346

EPAISSEUR / THICKNESS
1.35 / (0.05")

REF	CODE	POIDS (Kg/m)	WEIGHT (lb/ft)
U24/24/24	524 135	0.600	0.404