

PROFIL PLAT PL30-3
 PL30-3 FLAT SECTION

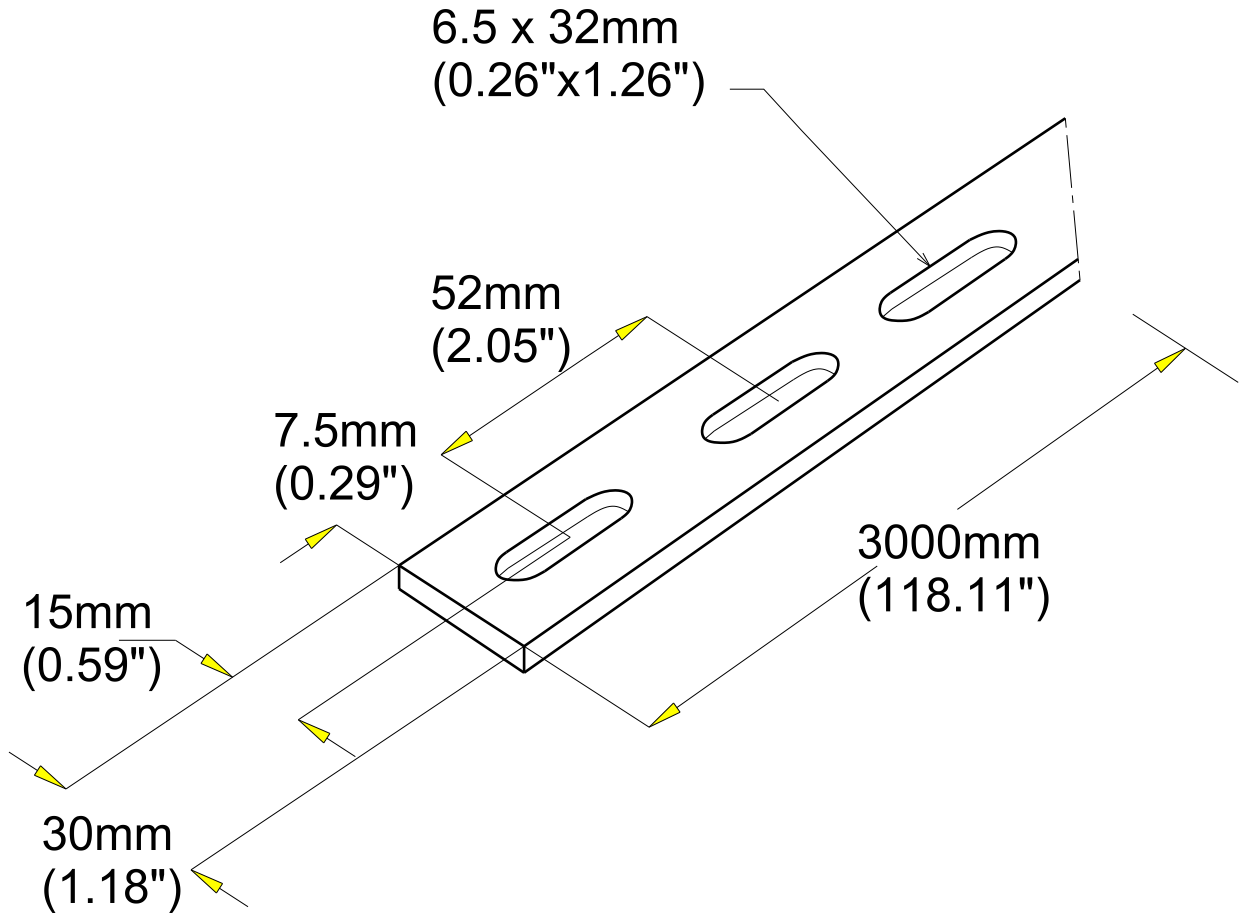
GC
 HDG



CABLE
 MANAGEMENT

FT0253-3

02 16



Material	Standard	Finishes	Standard
S235JR	EN 10025	Hot dip galvanized	EN ISO 1461

REF	CODE	POIDS (Kg/m)	WEIGHT (lb/ft)
PL 30-3	524 110	0.670	0.451

EPAISSEUR / THICKNESS
3 / (0.12")