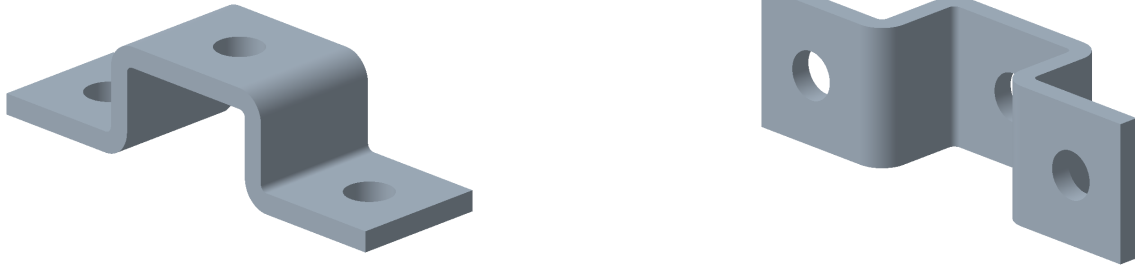


**OMEGA 41/21  
41/21 OMEGA**

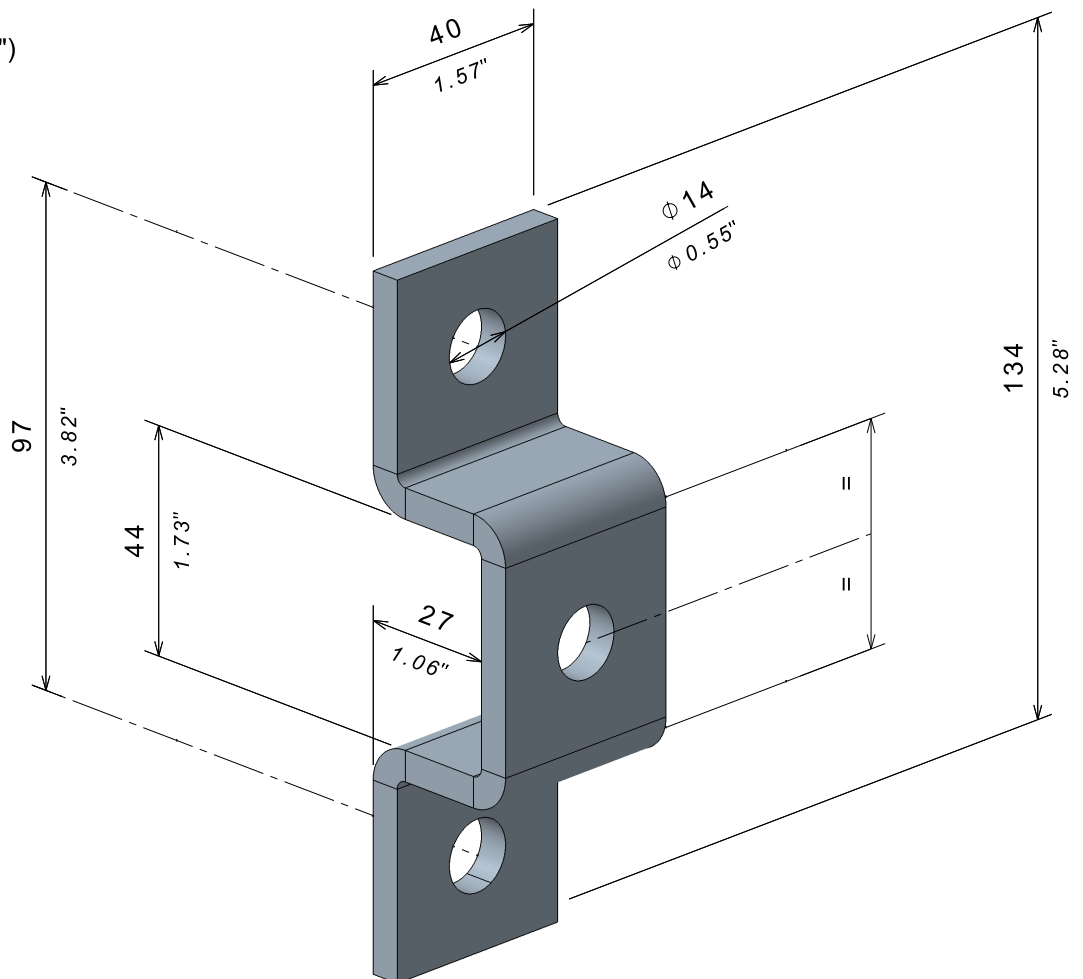
Reference(s) : 597 113


**1. RANGE**

Designation	Code	Poids / Weight (Kg) (lb)		Epaisseur / Thickness (mm) (inch)		Matière / Material	Norme / Standard	Finition / Coating	Classe de résistance contre la corrosion/ Resistance class against corrosion
									Class 6 according to CEI 61537
OM41/21 GC	597 113	0.310	0.684	6	0.24"	S235JR	EN 10 025-2	GC / HDG	

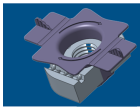
**2. DIMENSIONS (mm/inch)**

ALL HOLES Ø14 (0.55")



OMEGA 41/21  
41/21 OMEGA

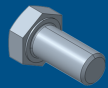
Reference(s) : 597 113



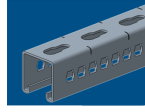
E41 AA



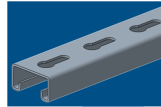
RM



VHM



RE41SP



R21S

### 3. INSTALLATION

L25mm (min)  
L45mm (max)

L25mm (max)

