

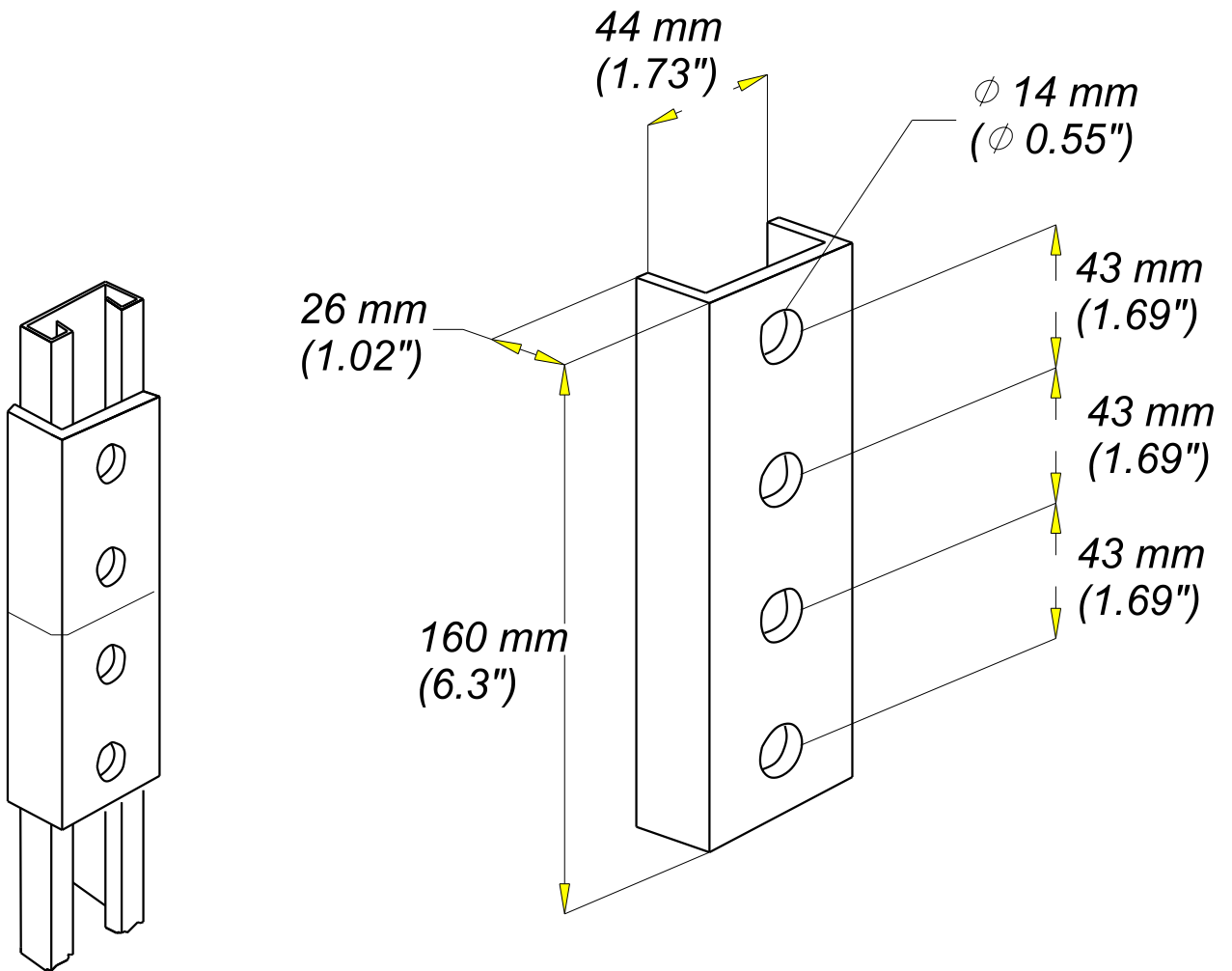
ECLISSE 4 TROUS 41/21
4 HOLE SPLICE 41/21

GC
HDG



FT0248-3

02 16



Material	Standard	Finishes	Standard
S235JR	EN 10025	Hot dip galvanized	EN ISO 1461

REF	CODE	POIDS (Kg)	WEIGHT (lb)
ECL41/21	597 123	0.670	1.479

EPAISSEUR / THICKNESS
6 / (0.24")