

ZED 41/21  
 41/21 ZED

Reference(s) : 597 103

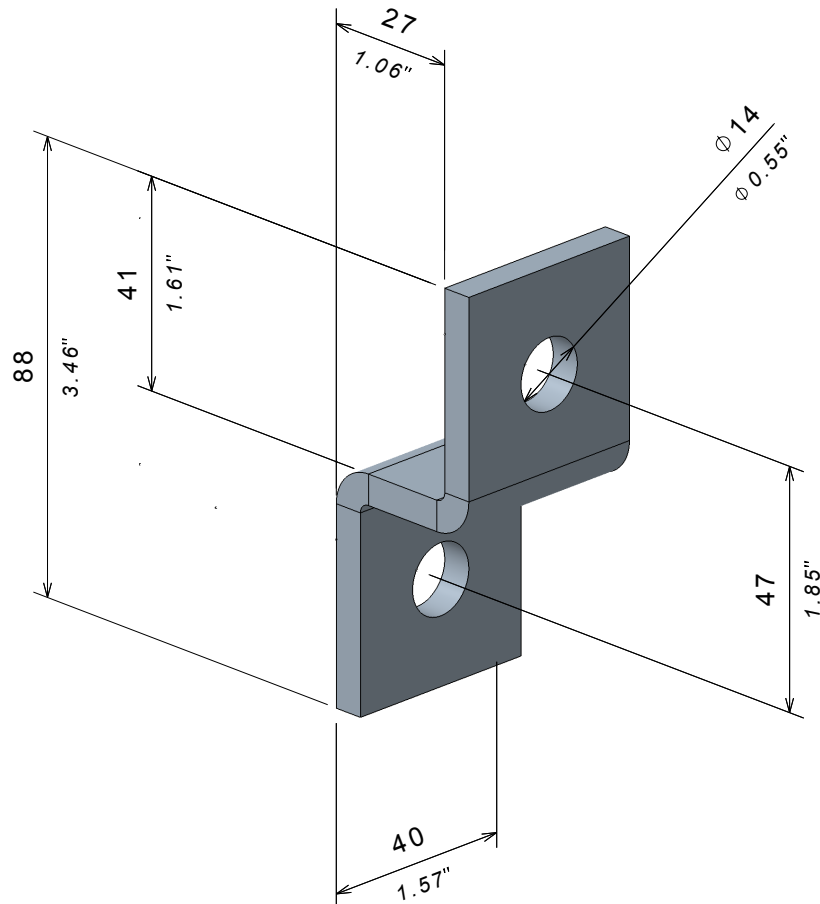


1. RANGE

Designation	Code	Poids / Weight (Kg) (lb)		Epaisseur / Thickness (mm) (inch)		Matière / Material	Norme / Standard	Finition / Coating	Classe de résistance contre la corrosion/ Resistance class against corrosion
									Class 6 according to CEI 61537
ZED41/21 GC	597 103	0.180	0.397	6	0.24"	S235JR	EN 10 025-2	GC / HDG	

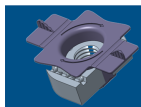
2. DIMENSIONS (mm/inch)

ALL HOLES Ø14 (0.55")



ZED 41/21  
 41/21 ZED

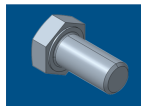
Reference(s) : 597 103



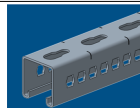
E41 AA



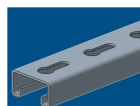
RM



VHM



RE41SP



R21S

3. INSTALLATION

