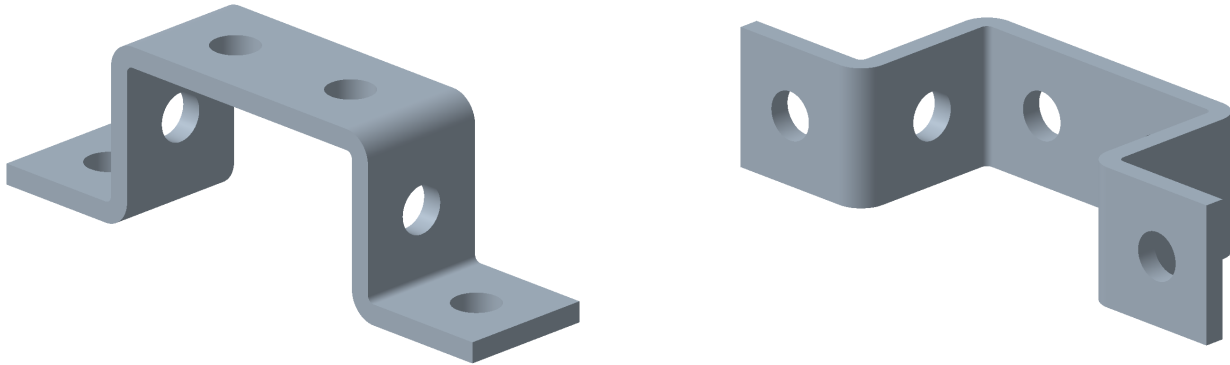


**OMEGA 41/41 DOUBLE  
 41/41 DOUBLE OMEGA**

Reference(s) : 596 213

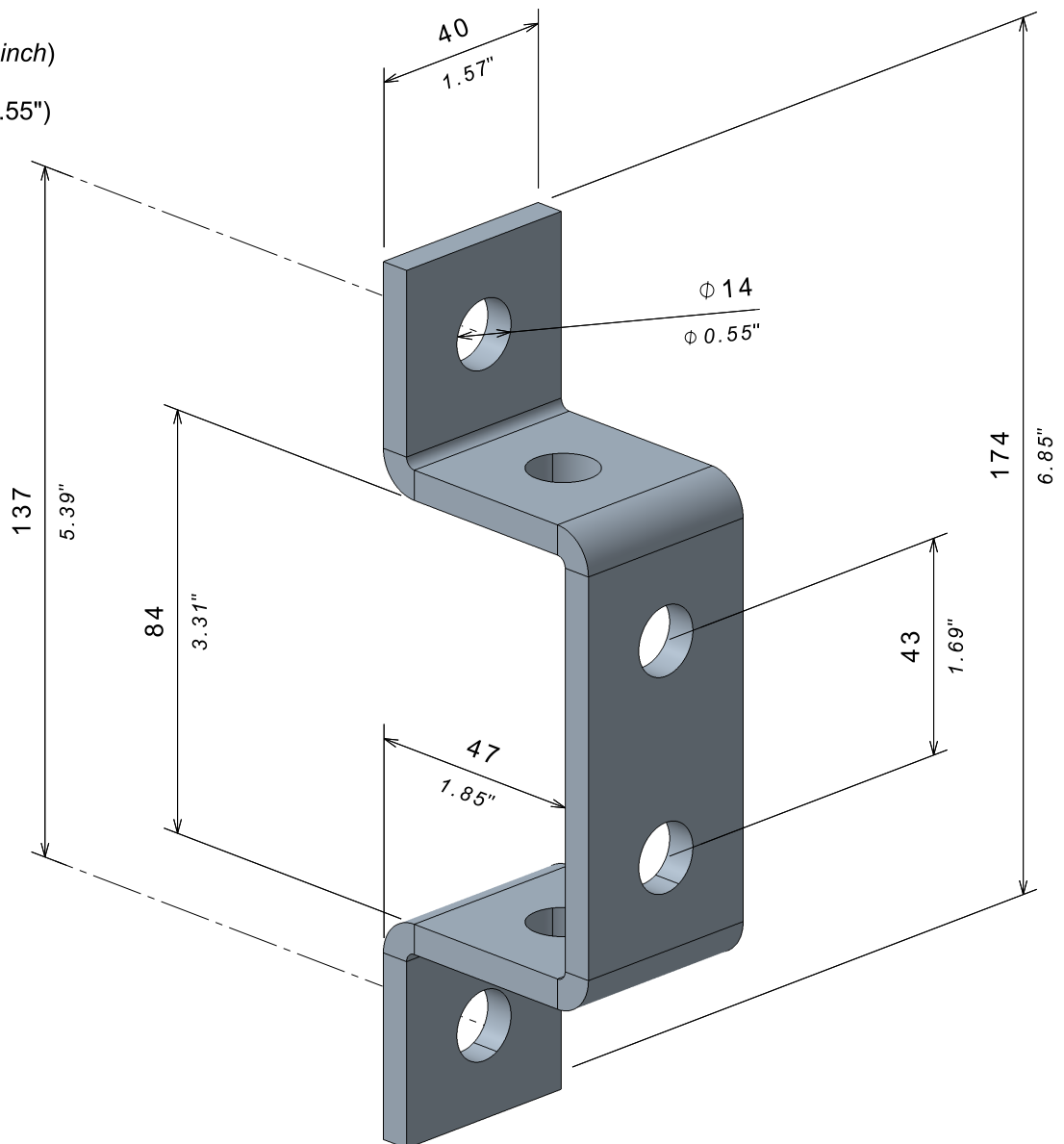


**1. RANGE**

Designation	Code	Poids / Weight		Epaisseur / Thickness		Matière / Material	Norme / Standard	Finition / Coating	Classe de résistance contre la corrosion/
		(Kg)	(lb)	(mm)	(inch)				Resistance class against corrosion
OM41/41D GC	596 213	0.460	1.015	6	0.24"	S235JR	EN 10 025-2	GC / HDG	Class 6 according to CEI 61537

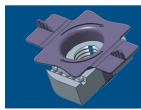
**2. DIMENSIONS (mm/inch)**

ALL HOLES Ø14 (0.55")



## OMEGA 41/41 DOUBLE 41/41 DOUBLE OMEGA

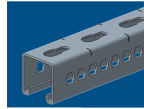
Reference(s) : 596 213



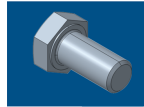
E41 AA



RM



RE41SP



VHM

### 3. INSTALLATION

