

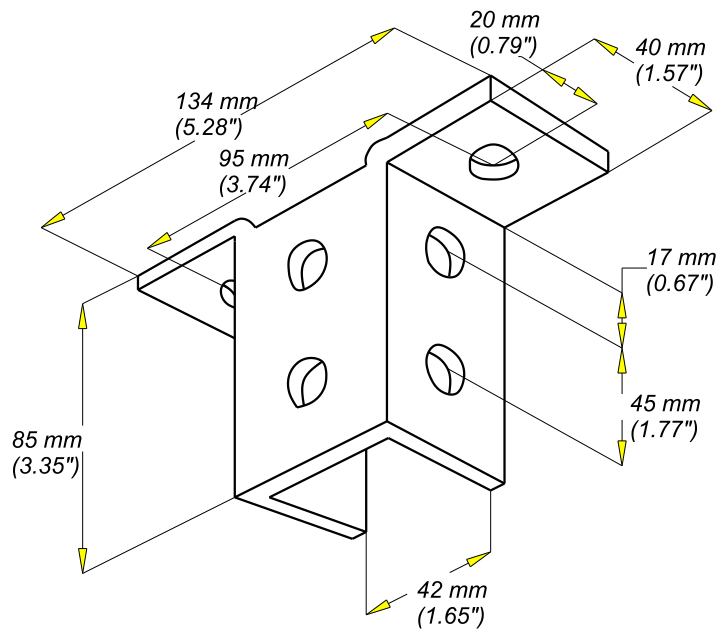
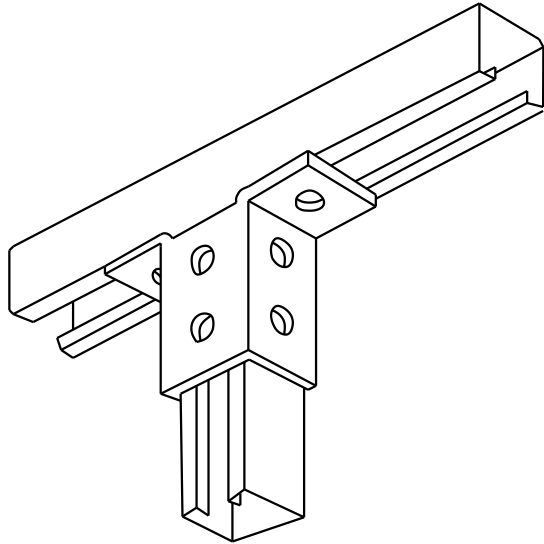
EQUERRE MULTIPositionS WING FITTING

GC
HDG

CABLOFIL[®]
INNOVATORS IN CABLE MANAGEMENT

FT0243-3

03 12



Material	Standard	Finishes	Standard
S235JR	EN 10025	Hot dip galvanized	EN ISO 1461

REF	CODE	POIDS (Kg)	WEIGHT (lb)
EQMP41	595 223	0.610	1.346

EPAISSEUR / THICKNESS
6 / (0.24")