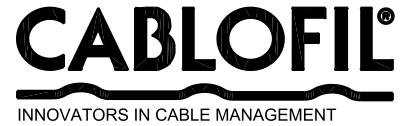


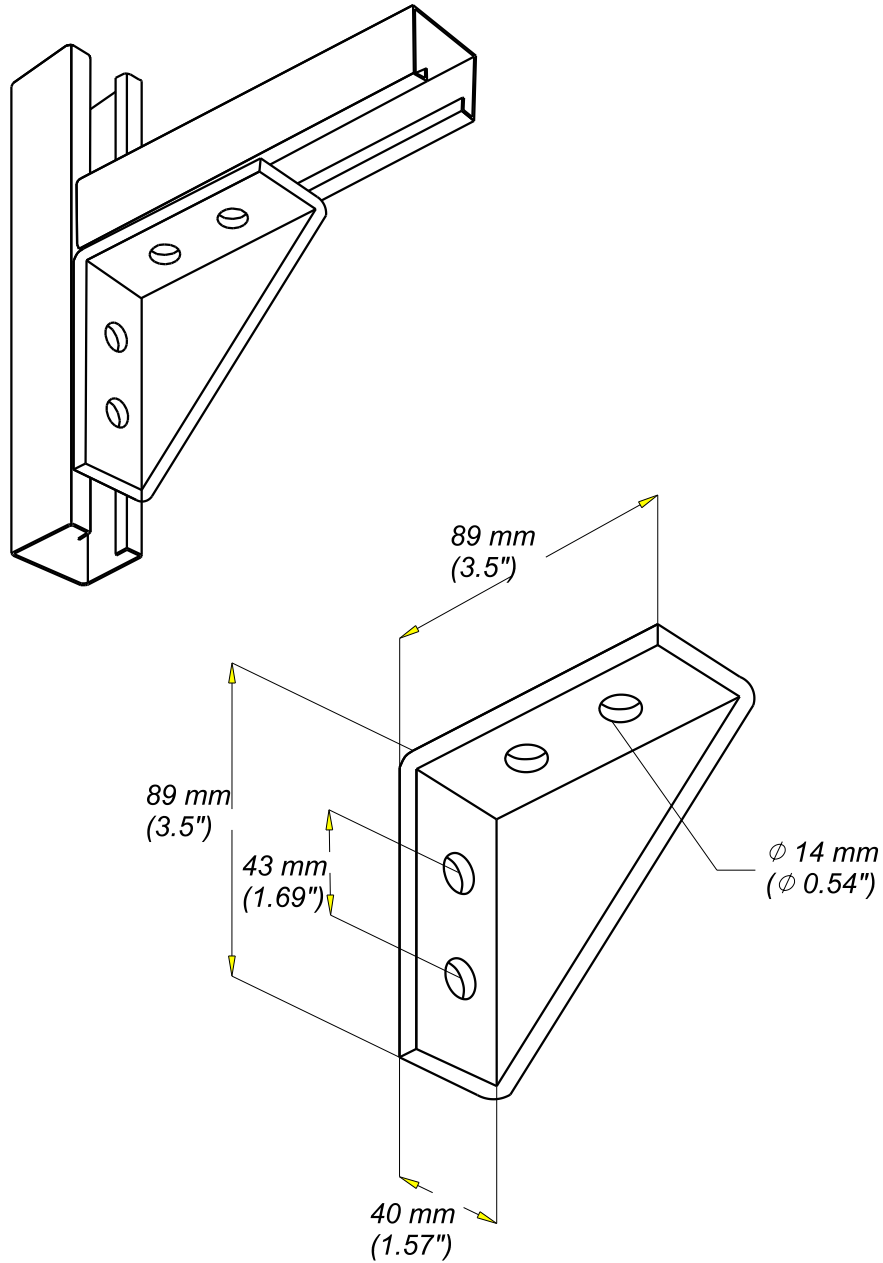
**EQUERRE RENFORCEE
REINFORCED ANGLE**

**GC
HDG**



FT0241-3

02 16



Material	Standard	Finishes	Standard
S235JR	EN 10025	Hot dip galvanized	EN ISO 1461

REF	CODE	POIDS (Kg)	WEIGHT (lb)
EQR4T	595 273	0.510	1.126

EPAISSEUR / THICKNESS
6 / (0.24")