

# EQUERRE 2 TROUS 2 HOLE ANGLE

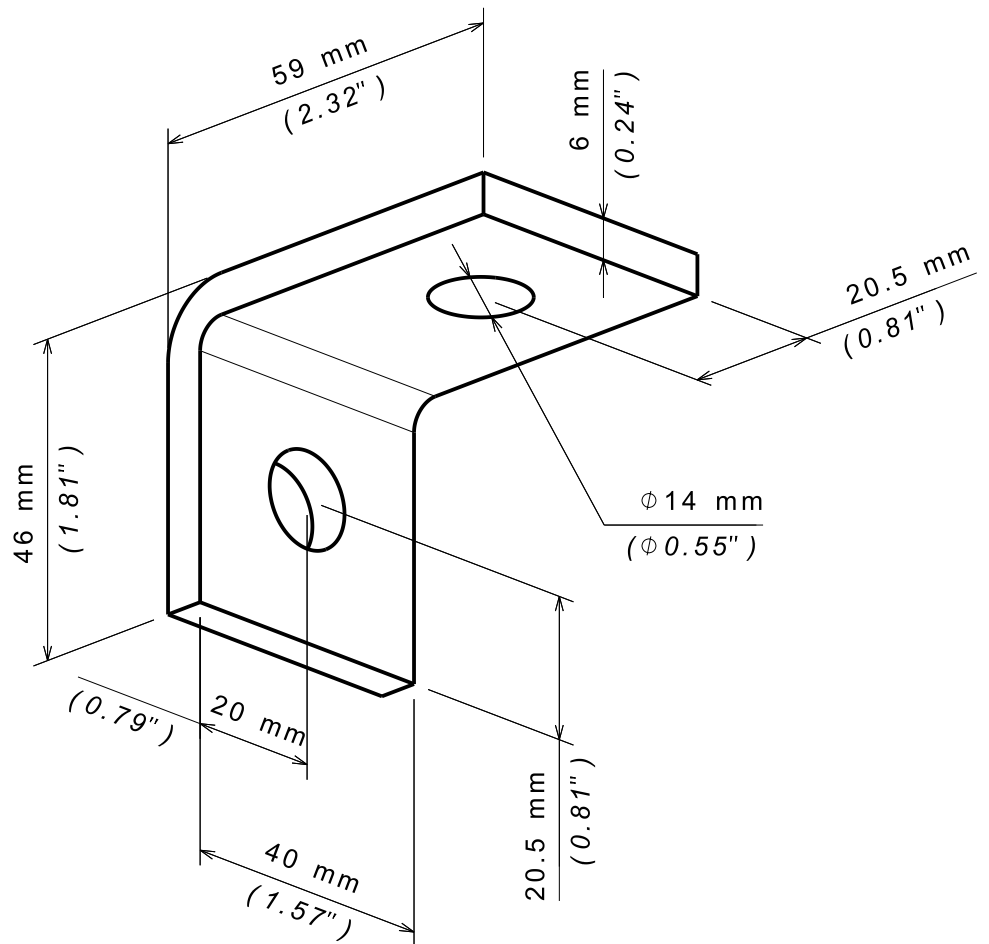
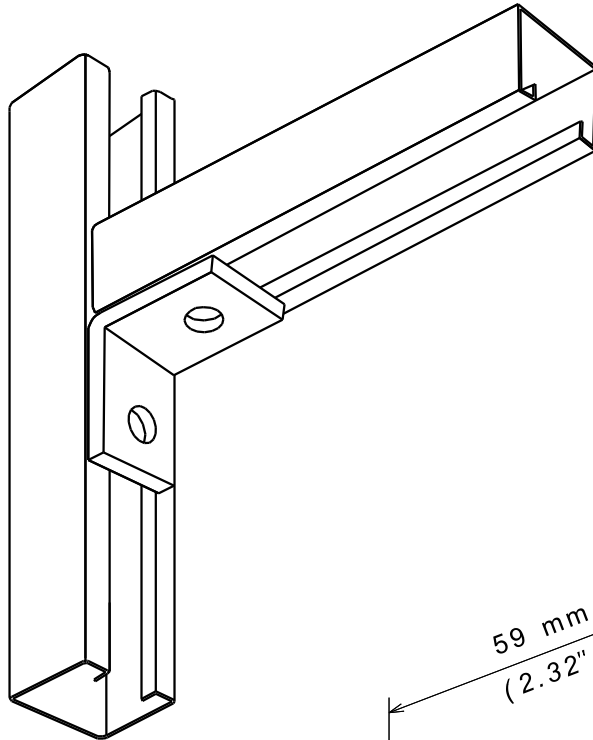
INOX 316L

# CABLOFIL®

INNOVATORS IN CABLE MANAGEMENT

FT0239-4

03 19



REF	CODE	POIDS (Kg)	WEIGHT (lb)
EQ2T	595 244	0.160	0.353

Material	Standard	Resistance class against corrosion
X2 CrNiMo 17-12-2	EN 10088-2	Class 9D

Propriété exclusive de CABLOFIL, ne peut être ni copié, ni transmis à des tiers sans autorisation écrite.

Exclusive property of CABLOFIL shouldn't be reproduced or transmitted to any people without written authorization