

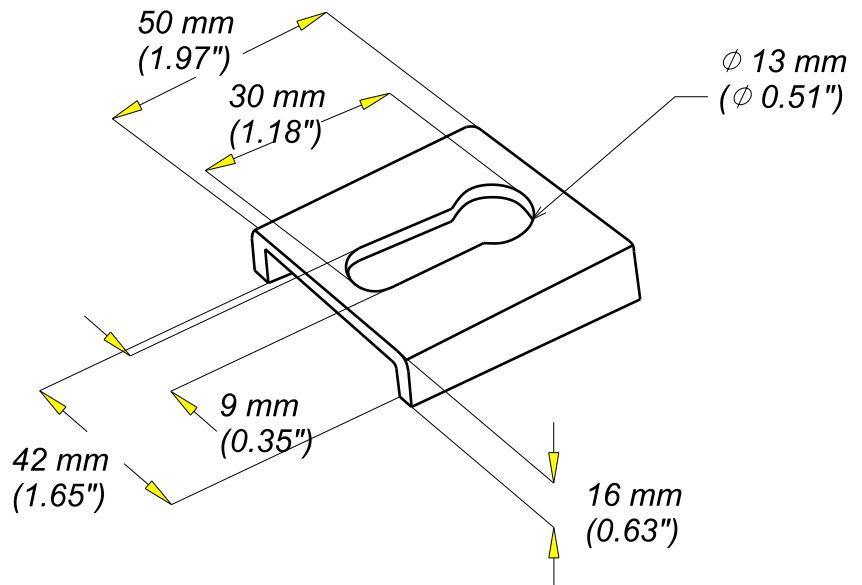
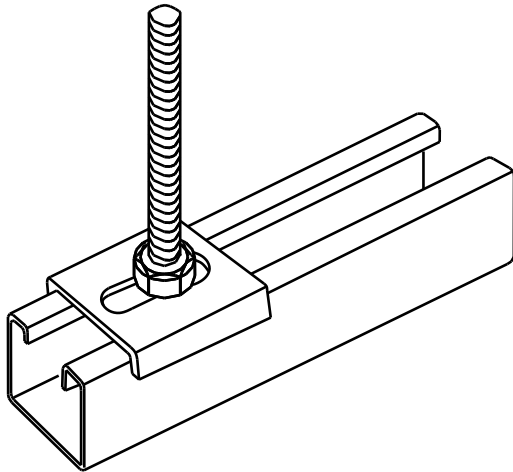
**PLAQUE DE VERROUILLAGE
LOCKING PLATE**

**GC
HDG**

CABLOFIL®
INNOVATORS IN CABLE MANAGEMENT

FT0236-3

02 16



Material	Standard	Finishes	Standard
S235JR	EN 10025	Hot dip galvanized	EN ISO 1461

REF	CODE	POIDS (Kg)	WEIGHT (lb)
PV41	595 283	0.080	0.177

EPAISSEUR / THICKNESS
3 / (0.12")