

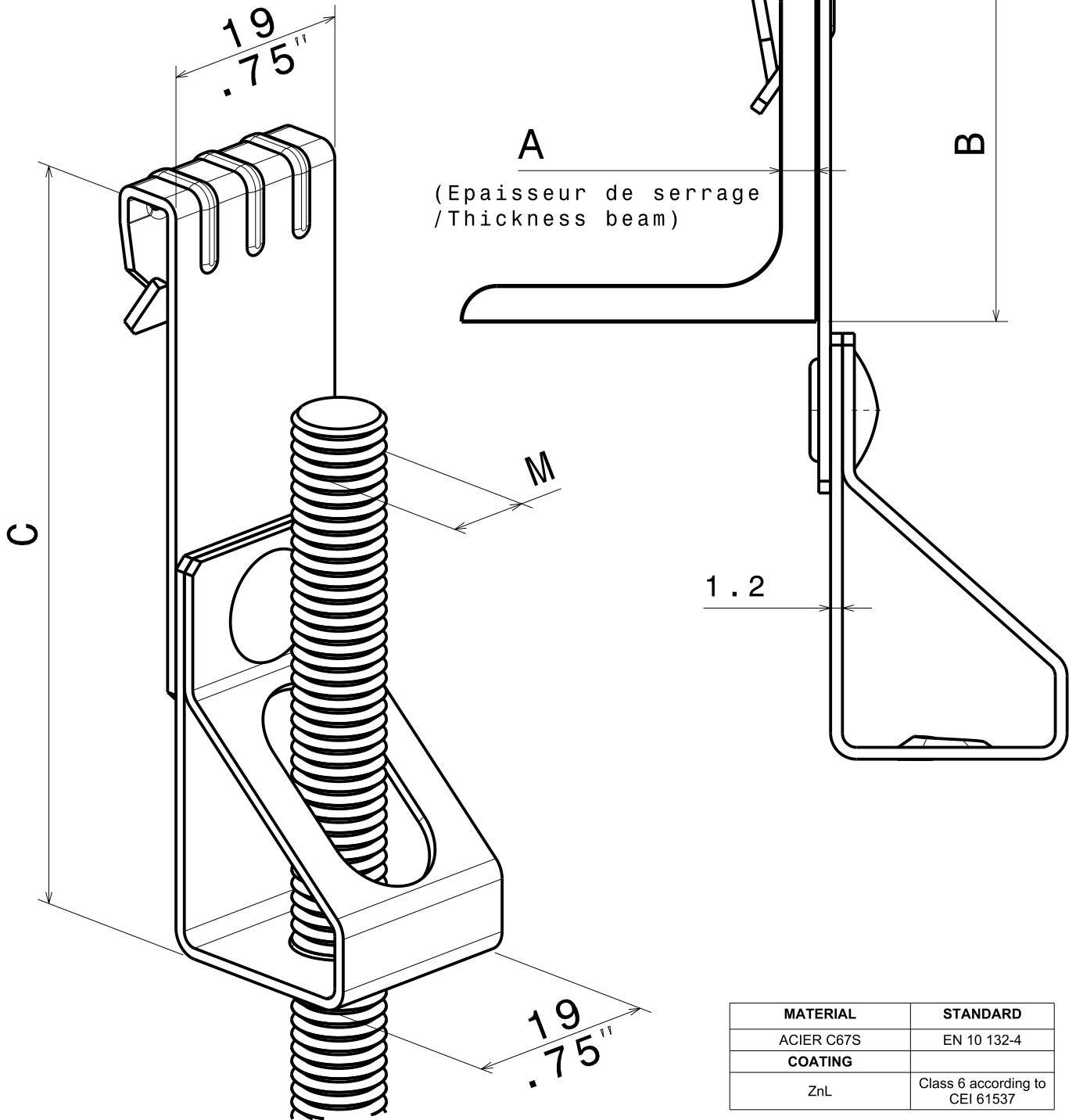
VFM - Fixation universelle sur poutrelle  
 VFM - Universal fixing on beam

ZnL

**CABLOFIL®**

INNOVATORS IN CABLE MANAGEMENT

FT0235 - 7 02 20



MATERIAL	STANDARD
ACIER C67S	EN 10 132-4
COATING	
ZnL	Class 6 according to CEI 61537

REF	CODE	POIDS / WEIGHT		M	A		B		C	
		(Kg)	(lb)		(mm)	(inch)	(mm)	(inch)	(mm)	(inch)
VFM 6/5	559 867	0.022	0.048	M6	1.5-5	0.059-0.197	30	1.181	65	2.559
VFM 8/5	559 877	0.022	0.048	M8	1.5-5	0.059-0.197	30	1.181	65	2.559
VFM 6/10	559 887	0.025	0.055	M6	4-10	0.157-0.394	60	2.362	95	3.740
VFM 8/10	559 897	0.025	0.055	M8	4-10	0.157-0.394	60	2.362	95	3.740

Propriété exclusive de CABLOFIL, ne peut être ni copié, ni transmis à des tiers sans autorisation écrite.

Exclusive property of CABLOFIL shouldn't be reproduced or transmitted to any people without written authorization