

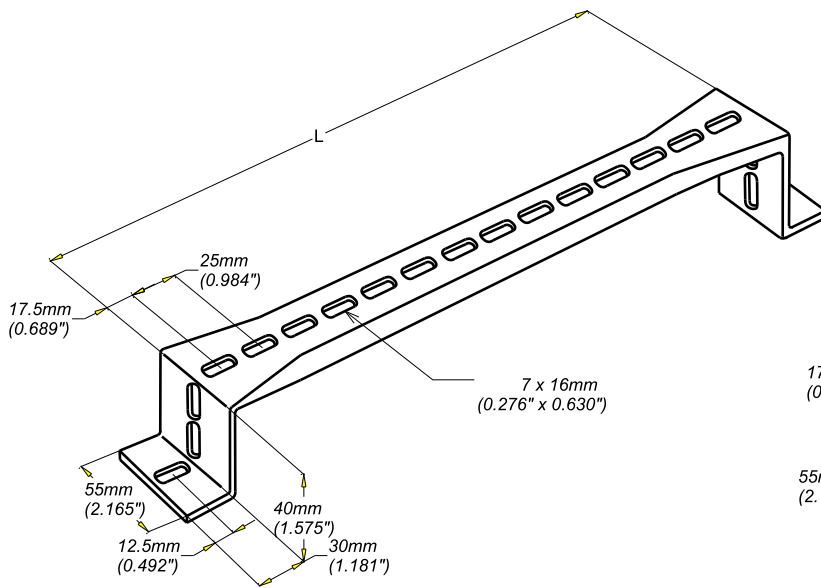
SUPPORT VERTICAL RENFORCE SVR
SVR REINFORCED VERTICAL SUPPORT

GS
PG

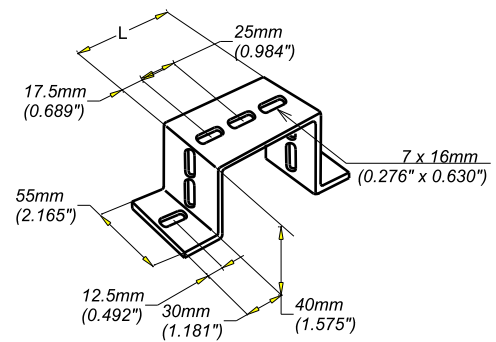
CABLOFIL
INNOVATORS IN CABLE MANAGEMENT

FT0234-0

02 16



SVR 100 to SVR 500



SVR 50 to SVR 75

REF	CODE	POIDS (kg)	WEIGHT (lb)	L (mm)	L (inch)
SV 50	272 300	0.103	0.230	60	2.36
SV 75	272 310	0.115	0.250	85	3.34
SVR 100	272 320	0.121	0.270	110	4.33
SVR 150	272 330	0.153	0.340	160	6.30
SVR 200	272 340	0.178	0.390	210	8.27
SVR 300	272 360	0.230	0.510	310	12.20
SVR 400	272 370	0.281	0.620	410	16.14
SVR 500	272 380	0.333	0.730	510	20.08

Material	Standard
DX51D Z 275 MAC	EN 10 346

EPAISSEUR / THICKNESS
1.2 / (0.05")