

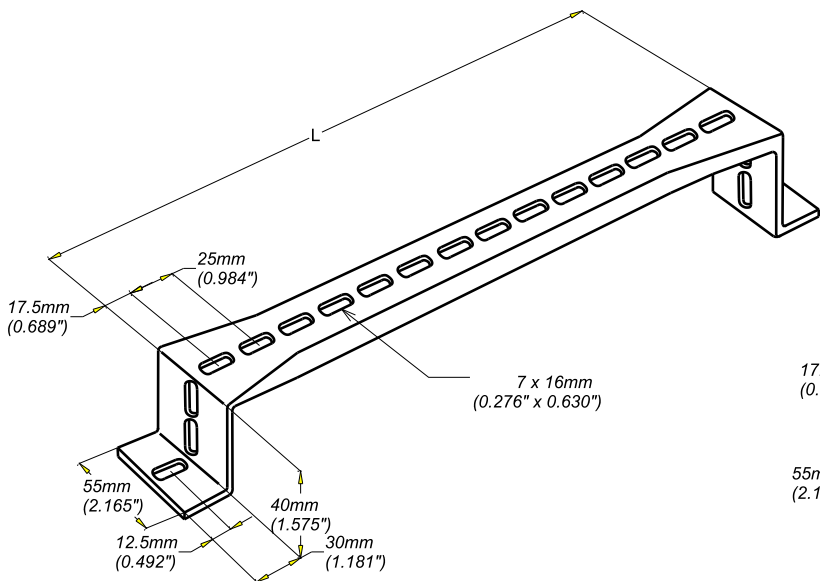
SUPPORT VERTICAL RENFORCE SVR
SVR REINFORCED VERTICAL SUPPORT

GC
HDG

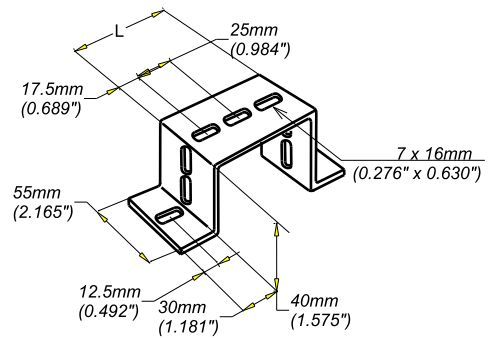
CABLOFIL
INNOVATORS IN CABLE MANAGEMENT

FT0234-3

02 16



SVR 100 to SVR 500



SVR 50 to SVR 75

Material	Standard	Finishes	Standard
DC01	EN 10130	Hot dip galvanized	EN ISO 1461

REF	CODE	POIDS (kg)	WEIGHT (lb)	L (mm)	L (inch)
SV 50	272 303	0.111	0.240	60	2.36
SV 75	272 313	0.124	0.270	85	3.34
SVR 100	272 323	0.131	0.290	110	4.33
SVR 150	272 333	0.165	0.360	160	6.30
SVR 200	272 343	0.192	0.420	210	8.27
SVR 300	272 363	0.248	0.550	310	12.20
SVR 400	272 373	0.303	0.670	410	16.14
SVR 500	272 383	0.359	0.790	510	20.08

EPAISSEUR / THICKNESS
1.2 / (0.05")