

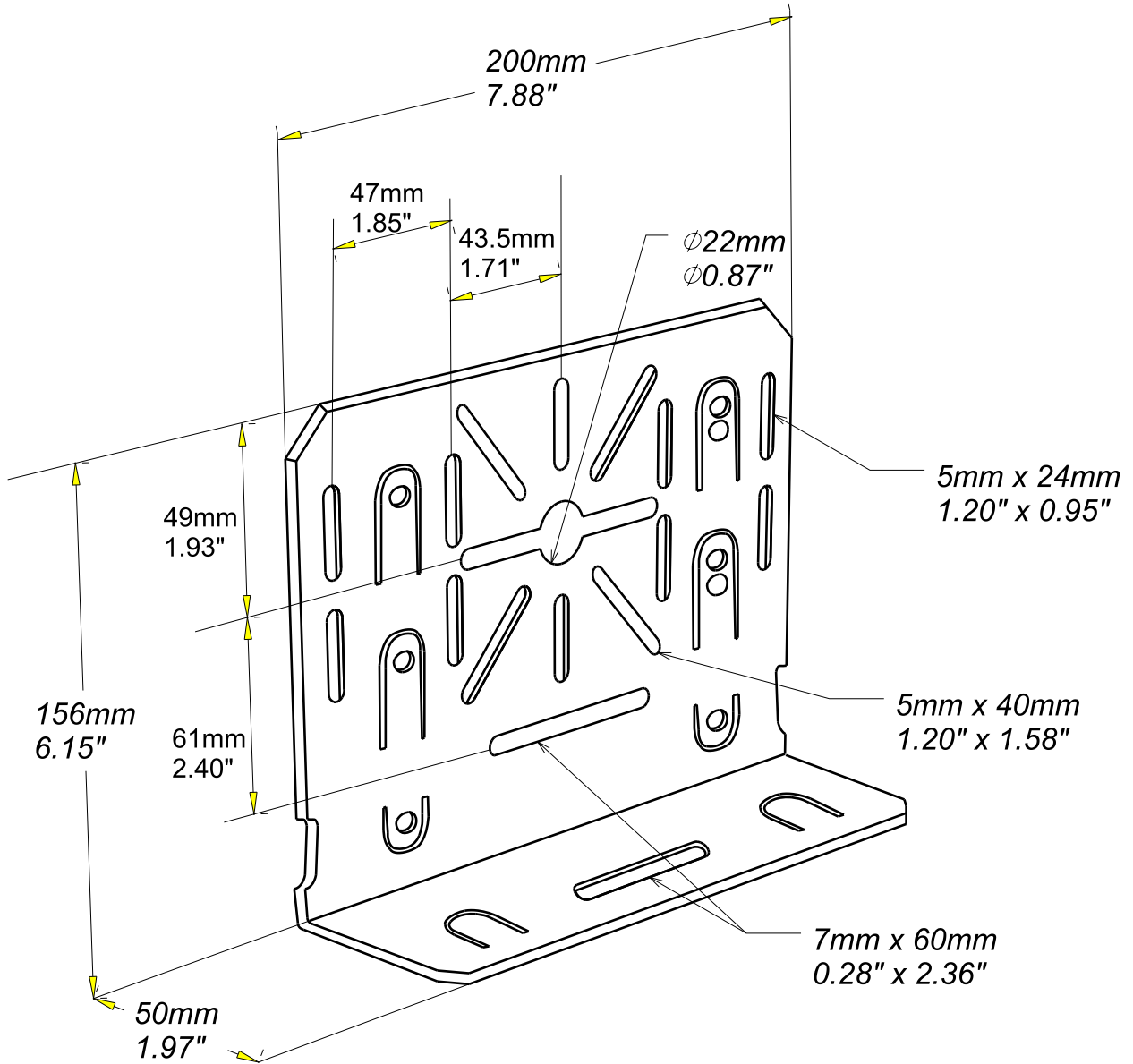
SUPPORT UNIVERSEL SUBD
SUBD UNIVERSAL SUPPORT

GS
PG

CABLOFIL®
INNOVATORS IN CABLE MANAGEMENT

FT0232-0

02 16



REF	CODE	POIDS (Kg)	WEIGHT (lb)
SUBD	585 120	0.260	0.574

EPAISSEUR / THICKNESS
1 / (0.04")

Material	Standard
DX51D Z 275 MAC	EN 10 346