

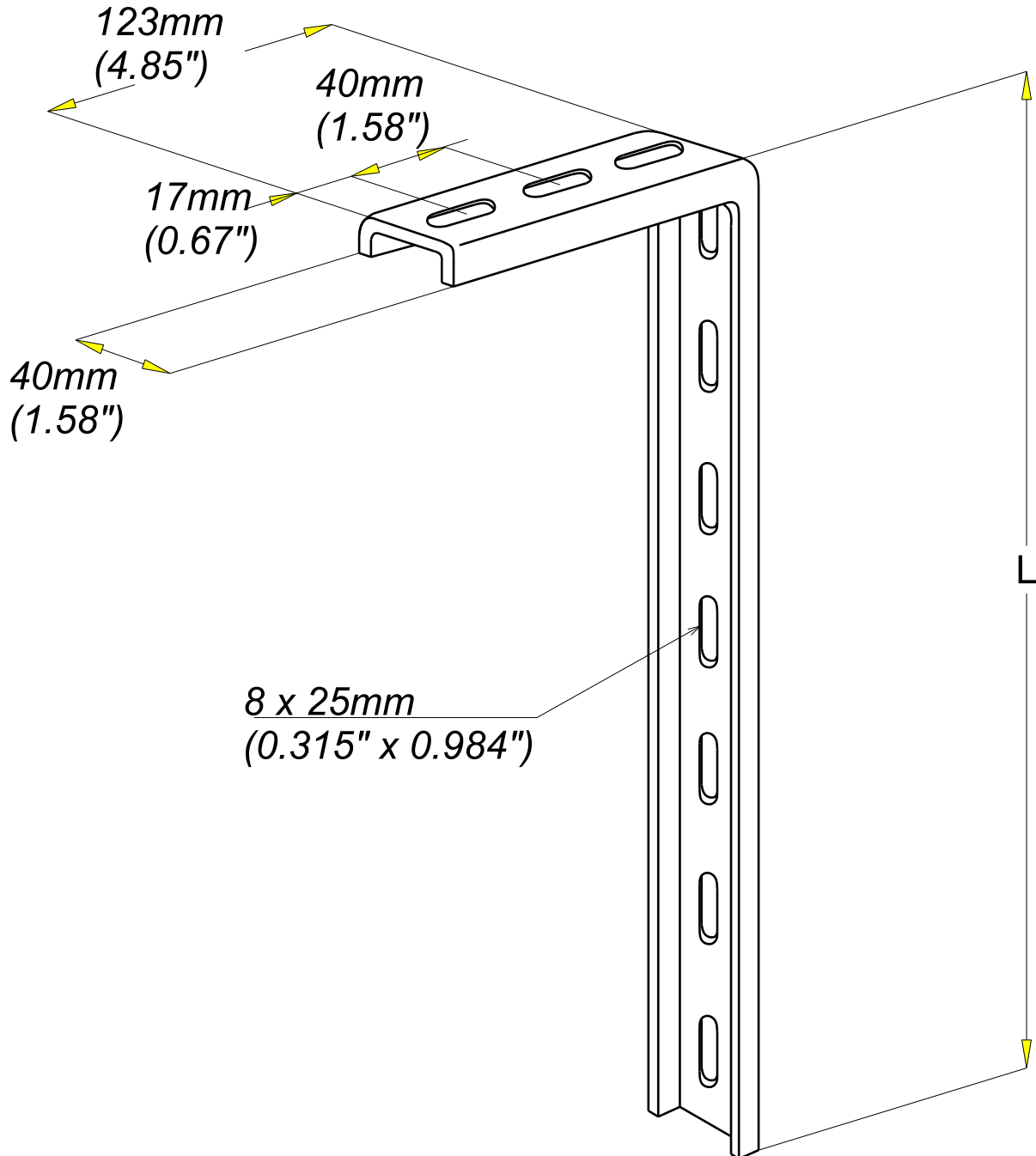
PENDARD PL  
PL HANGER

GC  
HDG

**CABLOFIL**  
INNOVATORS IN CABLE MANAGEMENT

FT0231-3

02 16



Material	Standard	Finishes	Standard
S235JR	EN 10025	Hot dip galvanized	EN ISO 1461

REF	CODE	L (mm)	L (inch)	POIDS (kg)	WEIGHT (lb)
PL 1	522 341	363	14,291	0.490	1.081
PL 2	522 343	483	19,016	0.600	1.324

EPAISSEUR / THICKNESS  
1.75 / 0.07"