

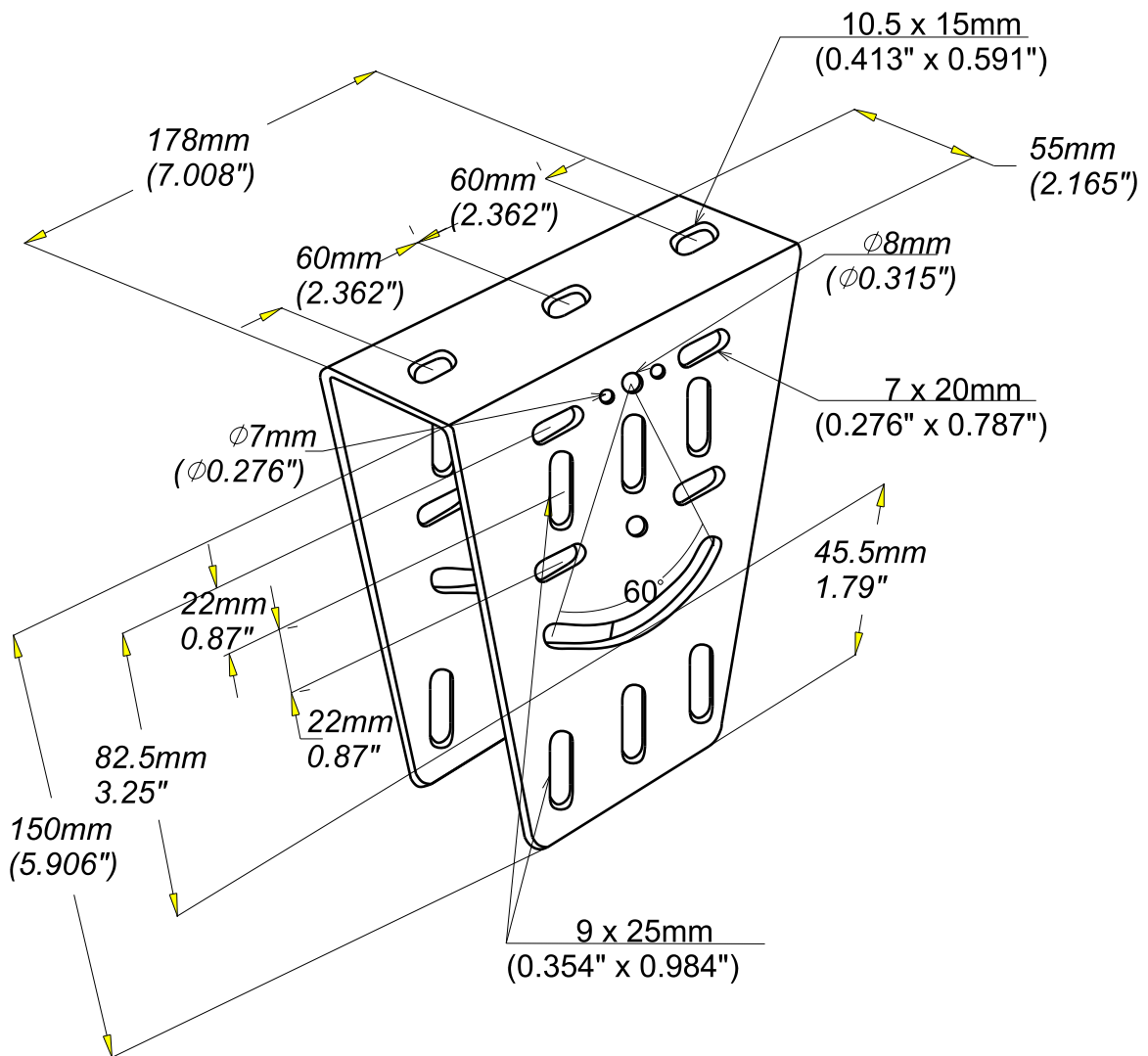
**GOUSSET DOUBLE DF**  
**DOUBLE GUSSET DF**

**GS**  
**PG**

**CABLOFIL®**  
INNOVATORS IN CABLE MANAGEMENT

FT0229-0

02 16



REF	CODE	POIDS (Kg)	WEIGHT (lb)
DF	561 060	0.590	1.300

EPAISSEUR / THICKNESS
1.75 / (0.07")

Material	Standard
DX51D Z 275 MAC	EN 10 346