

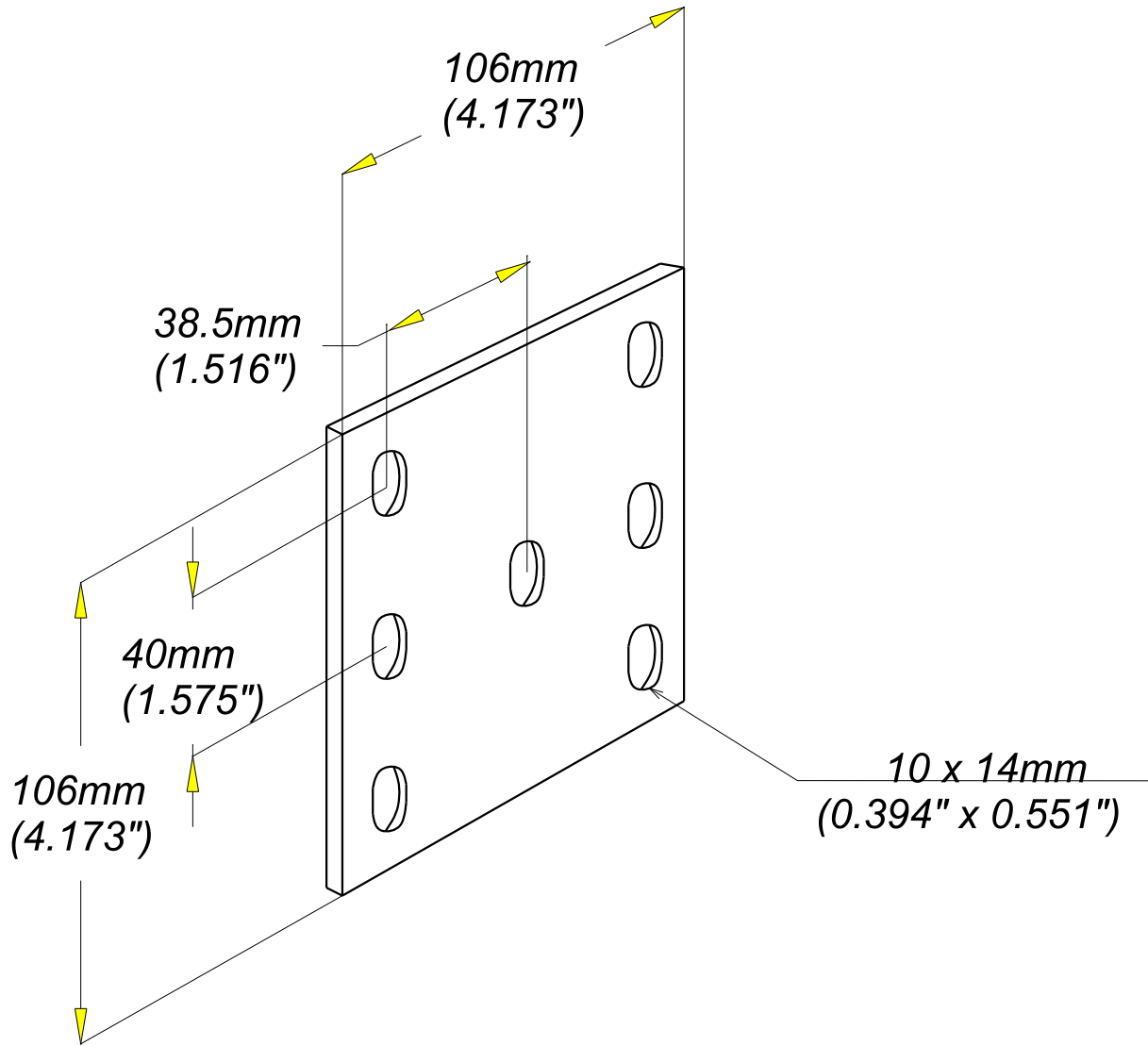
ENTRETOISE ERD 10
ERD 10 SHIM PLATE

ZM
Z+

CABLOFIL[®]
 INNOVATORS IN CABLE MANAGEMENT

FT0228-10

04-16



REF	CODE	POIDS (Kg)	WEIGHT (lb)	EPAISSEUR / THICKNESS
ERD10	561 053	0.170	0.380	1.2 (0.05")

Material	Standard
DX 51 D ZM310 MAC	EN 10 346
Finition Coating	Standard
ZM (ZnMg)	Class 6 according to CEI 61537

Propriété exclusive de CABLOFIL, ne peut être ni copié, ni transmis à des tiers sans autorisation écrite.
 Exclusive property of CABLOFIL shouldn't be reproduced or transmitted to any people without written authorization