

GOUPILLE FENDUE 8x90
8x90 SPLIT PIN

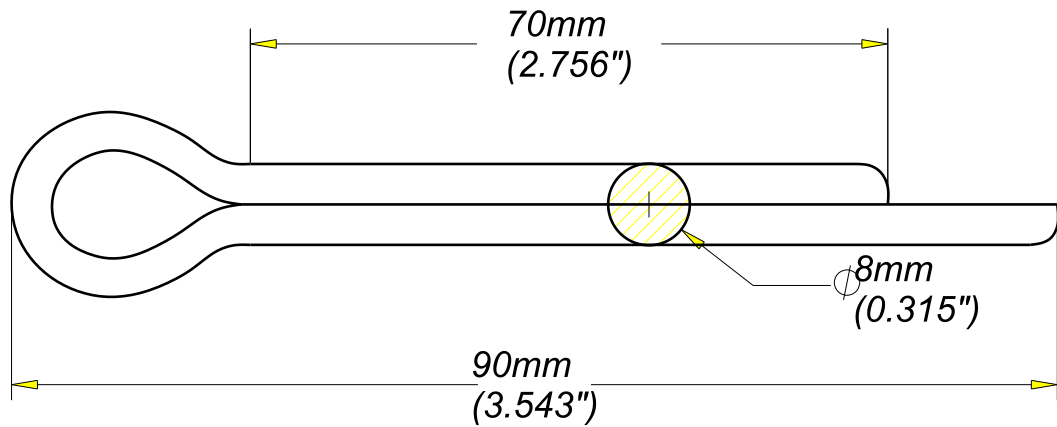
ZnL

CABLOFIL®

INNOVATORS IN CABLE MANAGEMENT

FT0222-7

02 - 20



REF	CODE	POIDS (Kg/100u)	WEIGHT (lb/100u)	Colissage/Packing	MATIERE / MATERIAL C 9 D	NORME / STANDARD EN ISO 16120-2
G 8/90	801 047	3.000	6.621	100	PROTECTION / COATING ZnL	Class 6 according to CEI 61537

Propriété exclusive de CABLOFIL, ne peut être ni copié, ni transmis à des tiers sans autorisation écrite.
 Exclusive property of CABLOFIL, shouldn't be reproduced or transmitted to any people without written authorization.