

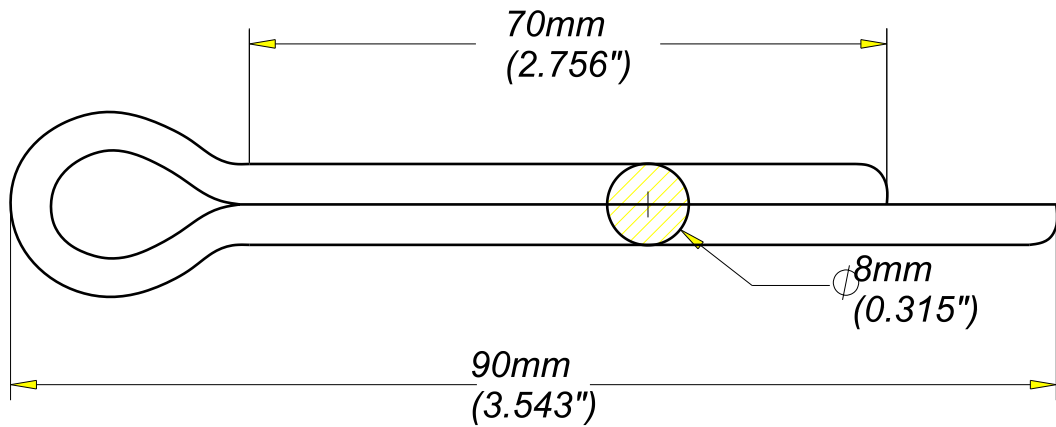
**GOUPILLE FENDUE 8x90**  
**8x90 SPLIT PIN**

**EZ**  
**EZ**

**CABLOFIL®**  
 INNOVATORS IN CABLE MANAGEMENT

FT0222-1

04 - 16



REF	CODE	POIDS (Kg/100u)	WEIGHT (lb/100u)	Colissage/Packing	MATIERE / MATERIAL C 9 D	NORME / STANDARD EN ISO 16120-2
G 8/90	801 041	3.000	6.621	100	PROTECTION / COATING Fe/Zn12/A	Class 3 according to CEI 61537

Propriété exclusive de CABLOFIL, ne peut être ni copié, ni transmis à des tiers sans autorisation écrite.  
 Exclusive property of CABLOFIL, shouldn't be reproduced or transmitted to any people without written authorization.