

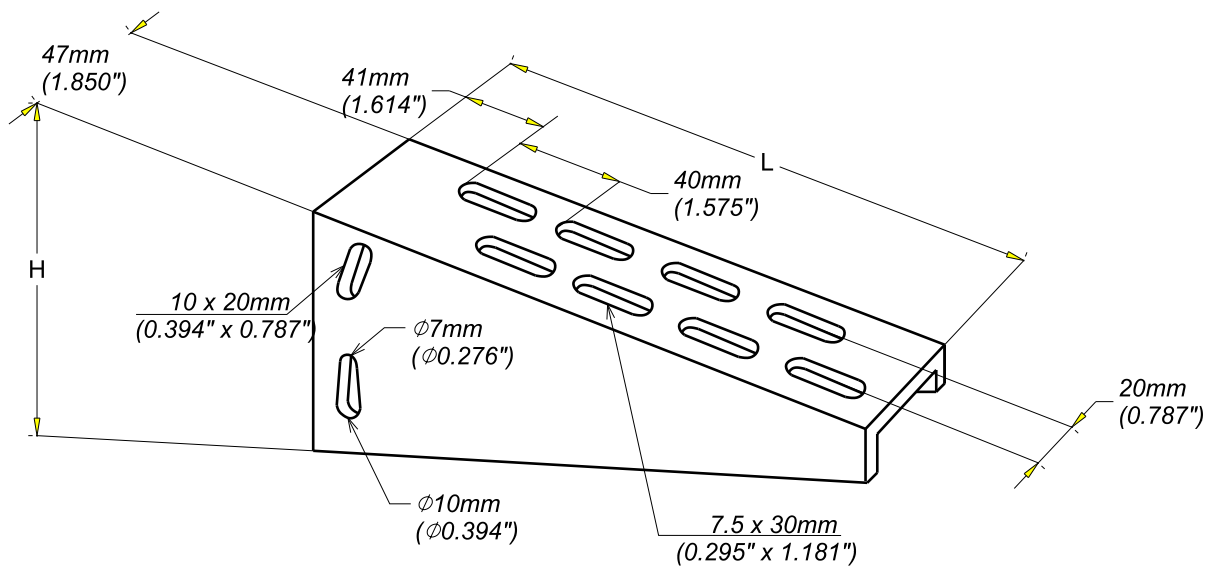
CONSOLE C C BRACKET

GC
HDG

CABLOFIL®
INNOVATORS IN CABLE MANAGEMENT

FT0221-3

04 / 16



REF	CODE	POIDS / WEIGHT (Kg) / (lb)	L (mm)	L (inch)	H (mm)	H (inch)	ep / th
C 100	557 013	0.230 / 0.508	140	5.51	83.5	3.29	1.2 / 0.05"
C 200	557 023	0.300 / 0.663	220	8.66	83.5	3.29	1.2 / 0.05"
C 300	557 033	0.570 / 1.260	340	13.38	84.5	3.33	1.5 / 0.06"
C 400	557 043	0.900 / 1.989	460	18.11	84.5	3.33	1.8 / 0.07"
C 500	557 053	1.180 / 2.608	555	21.85	96	3.78	1.8 / 0.07"
C 600	557 063	1.570 / 3.470	640	25.20	108.5	4.27	1.8 / 0.07"

NORME / STANDARD	
MATIERE / MATERIAL S 235 JR	EN 10025-2
DC 01 Am	EN 10030
PROTECTION / COATING Galva à chaud /	Class 6 according to CEI 61537