

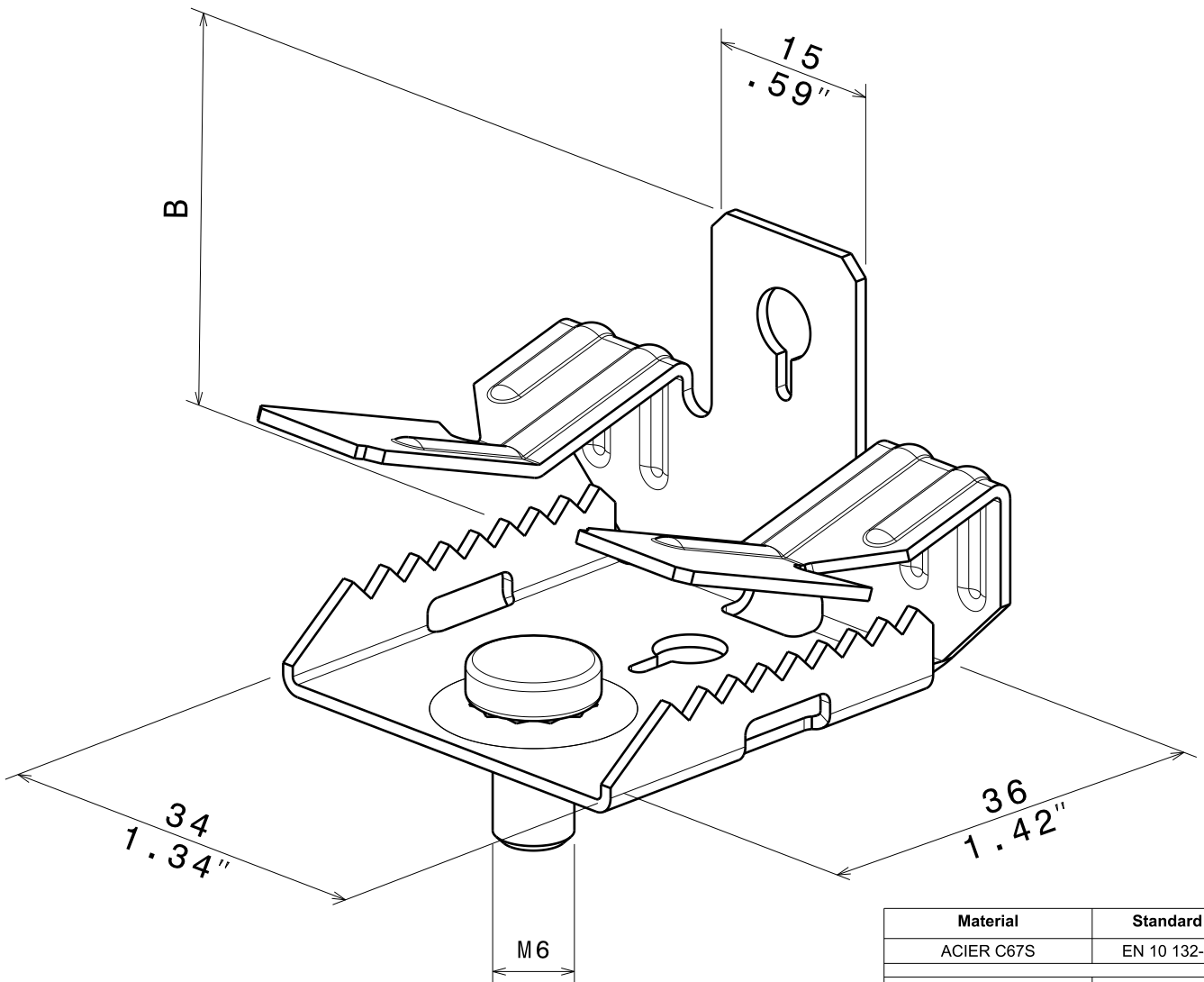
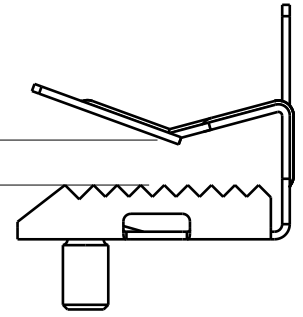
Fixation universelle sur poutrelle - IFM
 Universal fixing on beam - IFM

CABLOFIL®

INNOVATORS IN CABLE MANAGEMENT

FT0220 - 7 | 02 - 20

(Epaisseur de serrage / Thickness beam)
 A



Material	Standard
ACIER C67S	EN 10 132-4
Finition Coating	Standard
ZnL	Class 6 according to CEI 61537

REF	CODE	POIDS / WEIGHT		A		B	
		(Kg)	(lb)	(mm)	(inch)	(mm)	(inch)
IFM 6/7	559847	0.028	0.013	3-7	0.12" to 0.28"	33	1.299
IFM 6/13	559857	0.030	0.014	7-13	0.28" to 0.51"	36	1.417

Propriété exclusive de CABLOFIL, ne peut être ni copié, ni transmis à des tiers sans autorisation écrite.

Exclusive property of CABLOFIL shouldn't be reproduced or transmitted to any people without written authorization