

SUPPORT DE BOITE DE DERIVATION EXSBD  
EXSBD DIVERSION BOX SUPPORT

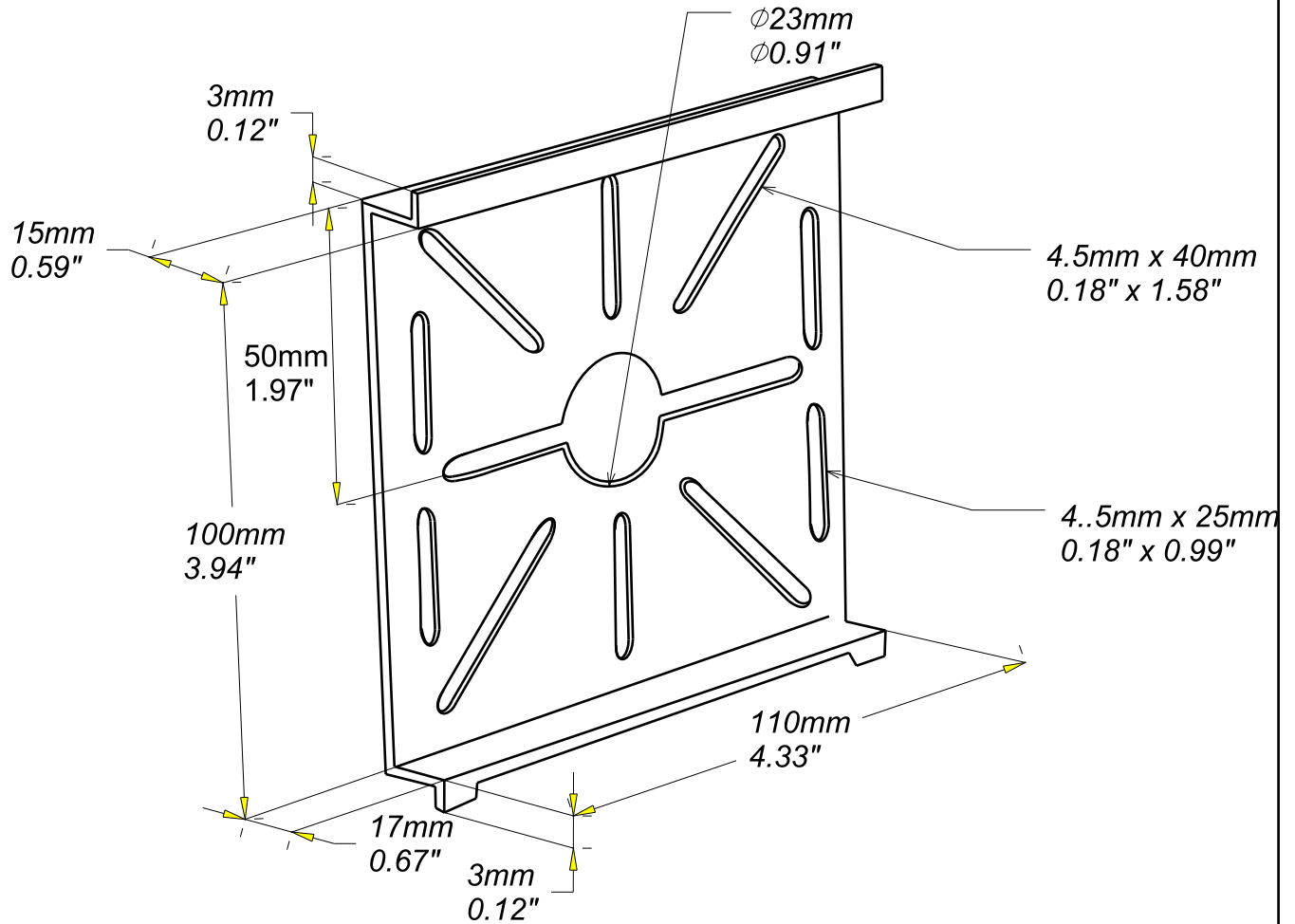
GS  
PG



CABLE  
MANAGEMENT

FT0216-0

04 16



EPAISSEUR / THICKNESS	NORME / STANDARD
1 / 0.04"	
MATIERE / MATERIAL	
DX 51 D Z275 MAC	EN 10346
PROTECTION / COATING	
GS / PreGalvanised	

REF	CODE	POIDS (Kg)	WEIGHT (lb)
EXSBD	585 130	0.070	0.154