

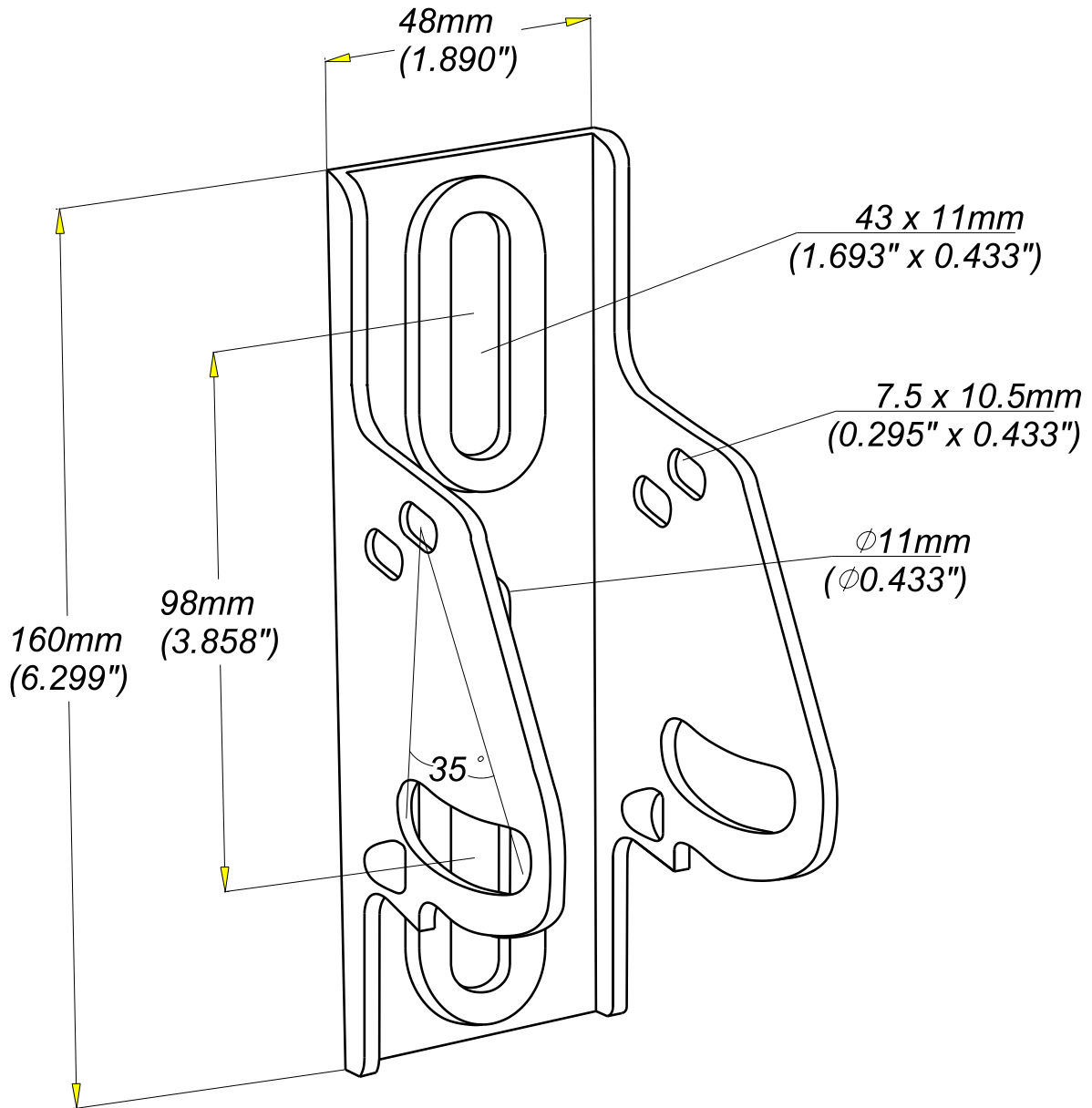
SEMELLE ORIENTABLE DE CONSOLE
 ORIENTABLE BRACKET SOLE

GS
 PG

CABLOFIL®
 INNOVATORS IN CABLE MANAGEMENT

FT0211-0

04 / 16



EPAISSEUR / THICKNESS 2 / 0.08"	NORME / STANDARD
MATIERE / MATERIAL DX 51 D Z275 MAC	EN 10346
PROTECTION / COATING GS / PreGalvanised	

REF	CODE	POIDS / WEIGHT (Kg) / (lb)
SI	561 100	0.252 / 0.556