

SEMELLE ORIENTABLE DE CONSOLE
 ORIENTABLE BRACKET SOLE

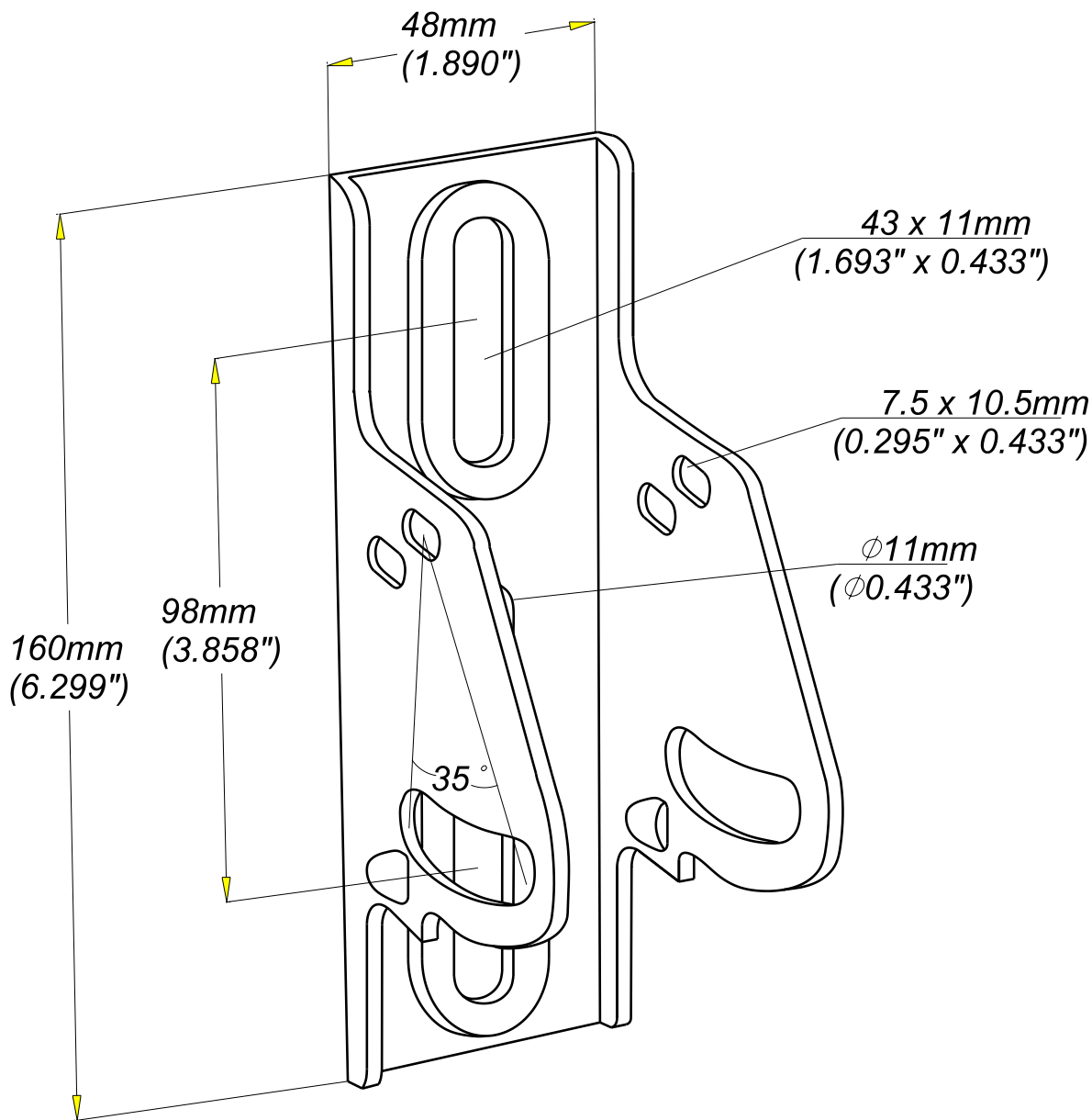
GC
 HDG

CABLOFIL®

INNOVATORS IN CABLE MANAGEMENT

FT0211-3

04 / 16



REF	CODE	POIDS (Kg)	WEIGHT (lb)
SI	561 103	0.266	0.587

EPAISSEUR / THICKNESS 2 / 0.08"	NORME / STANDARD
MATIERE / MATERIAL S 235 JR	EN 10025-2
PROTECTION / COATING GC / Hot Dip Galvanised	Class 6 according to CEI 61537